

RTD

SHEATH TYPE RESISTANCE SENSOR

NEW-FLOW sheath type resistance sensor is high precision and reliability measuring temperature sensor.

Technical Data

Head housing: General. IP65. Explosion proof available
PT100Ω Element

Dial size: $\varnothing 1.6 \sim \varnothing 12.75$ mm on request

Sheath material: SS316

Working temperature limited: $-200 \sim 650^{\circ}\text{C}$
 according to applicable standards table.

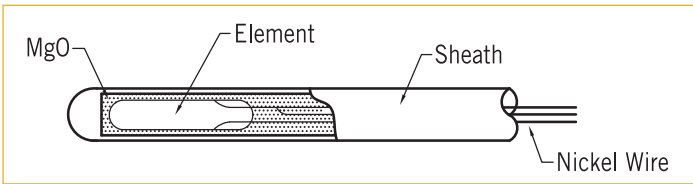
Measuring wiring method: 2 wire, 3 wire, 4 wire, available



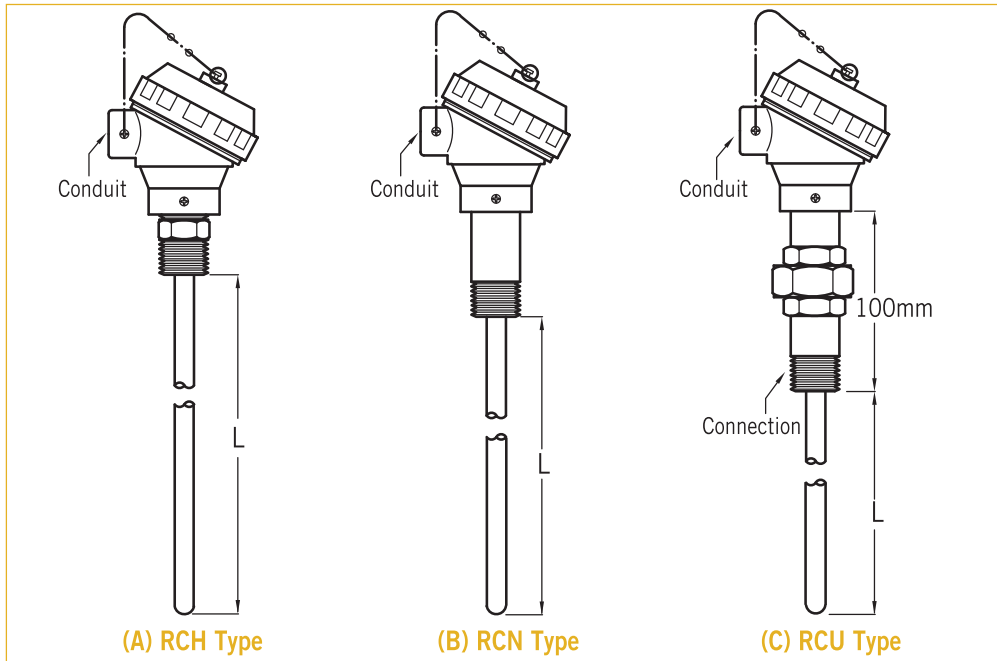
Explosion proof

IP65

Component List



Resistance Sensor Model

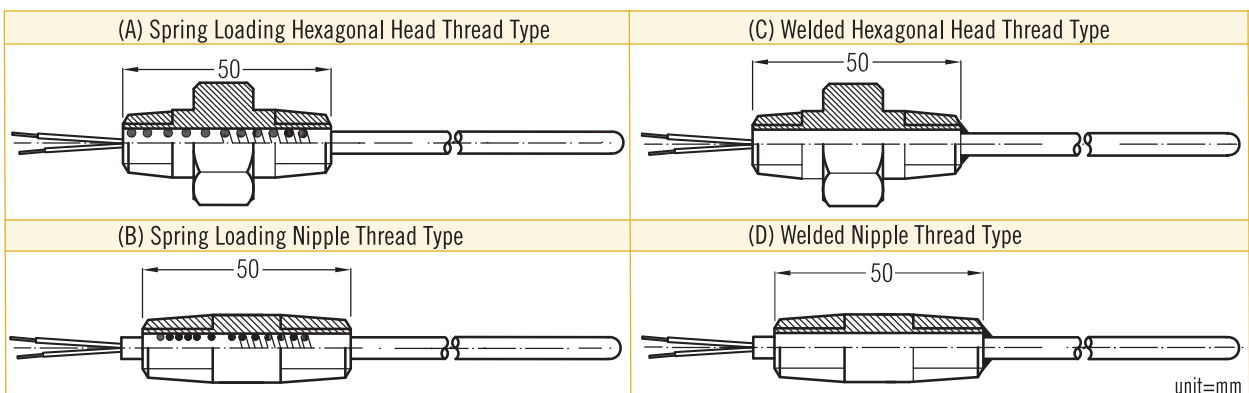


(A) RCH Type

(B) RCN Type

(C) RCU Type

Sensor Type

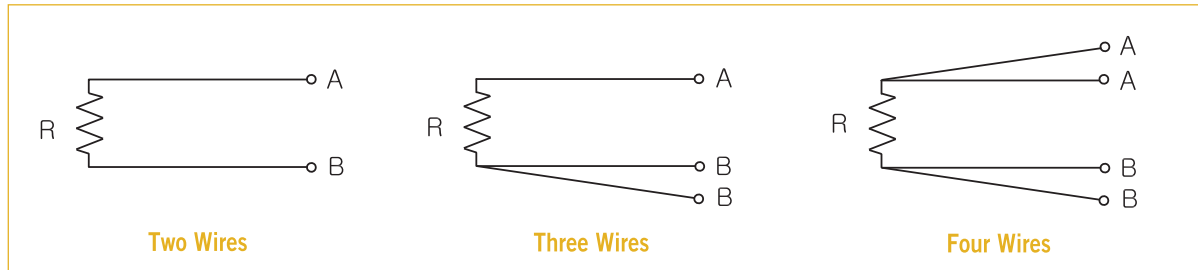


Thermo Resistance Sensor Size

SINGLE ELEMENT						
	Sheath (unit:mm)			Lead Wire (unit:mm)		Sheath max. length (unit:M)
	O.D	t	Material	Diameter	Material	A
	Ø1.6	0.25	SUS316	Ø0.25	Nickel	100
	Ø3.2	0.47		Ø0.51		83
	Ø4.8	0.72		Ø0.76		35
	Ø6.4	0.93		Ø1.00		20
	Ø8.0	1.16		Ø1.30		11.5
	Ø9.0	1.25		Ø1.46		21
	Ø12.75	1.80		Ø1.50		10.5

DOUBLE ELEMENT						
	Sheath (unit:mm)			Lead Wire (unit:mm)		Sheath max. length (unit:M)
	O.D	t	Material	Diameter	Material	A
	Ø3.2	0.38	SUS316	Ø0.30	Nickel	83
	Ø4.8	0.72		Ø0.50		35
	Ø6.4	0.93		Ø0.72		20
	Ø8.0	1.16		Ø0.90		11.5
	Ø9.0	1.25		Ø1.00		21
	Ø12.75	1.80		Ø1.50		10.5

Wiring Method



Standard Table For PT100 (R100/R0=1.385)

IEC Pub. 751-1983 JIS C1604-1997			ASTM E1137-1995	
Class	Tolerance (°C)	Measuring Current	Class	Tolerance (°C)
A	$\pm(0.15+0.002 t)$	Under 2mA	A	$\pm(0.13+0.0017 t)$
B	$\pm(0.3+0.005 t)$		B	$\pm(0.25+0.0042 t)$

*|t| : display temperature (°C) on request range.

Ordering Information

Model	RCH	RCN	RCU												
Code	Head Housing Protection														
	IP65 (1) HN (2) HP (3) HD (4) HI (5) HB														
	Explosion proof (6) KS (7) S1 (8) S2														
Code	Sensor Type														
A	Spring Loading Hexagonal Head Thread Type				C	Welded Hexagonal Head Thread Type									
B	Spring Loading Nipple Thread Type				D	Welded Nipple Thread Type									
Code	Sensor Connection Size														
	Thread type (1) ½" NPT (2) ¾" NPT (3) Option														
Code	Conduit Connection														
	(A) ½"NPT Female (B) ¾"NPT Female (0) option														
Code	Sensor Dimensions "O.D." mm														
	(1) 1.6 (2) 3.2 (3) 4.8 (4) 6.4 (5) 8.0 (6) 9.0 (7) 12.75 (0) option														
Code	Sheath Material														
A	SS316				0	Option									
Code	Element Type														
1	PT100														
Code	Element No														
S	Single				D	Double									
Code	Sensor Class														
	(1) Class A (2) Class B														
Code	Sensor insertion Length "L"														
	Plesae directly fill in requesting length (mm).														
															Complete Ordering Code

WWW.TOTALGAUGE.CO.KR • TEL : 02-2627-3161 • FAX : 02-2627-3160 • EMAIL : runttoeye@mate.com