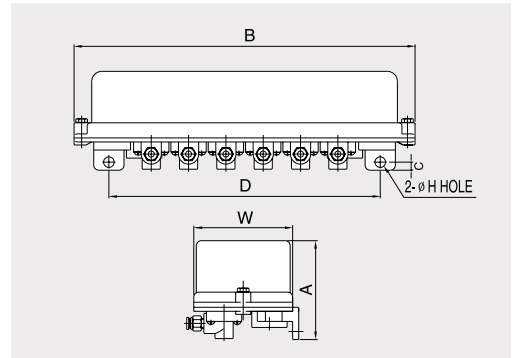
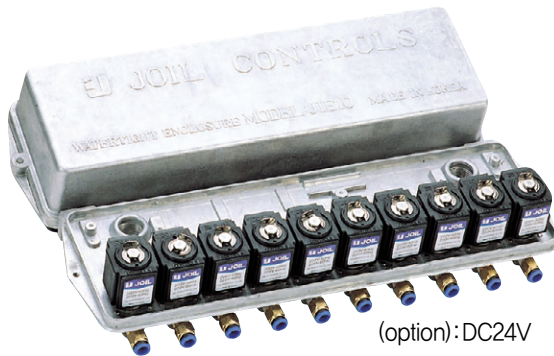


# MULTI VALVE ENCLOSURES



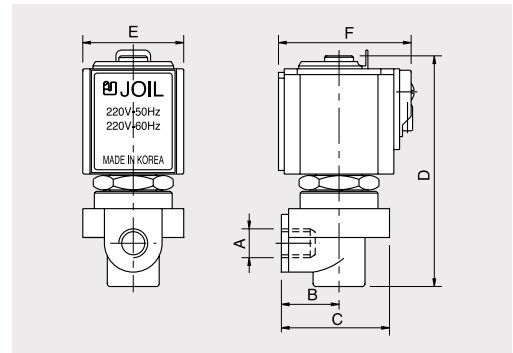
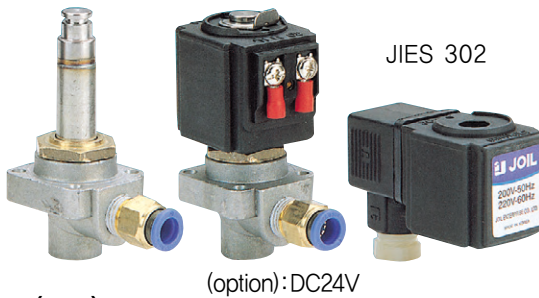
## ■ DIMENSIONS : JIE 810, 820, 1010,1020

MODEL	A	B	C	D	H	W	WEIGHT(kg)	VALVE QTY IN USE
JIE - 8	98	338	8	269	10	98	2.8	1p ~ 8p
JIE - 10	98	410	8	350	10	125	4.5	9p ~ 12p

## ■ STANDARD VOLTAGES & RANGE OF ENCLOSURES IN OPTIONS

MODEL	VOLTAGE	VALVE QTY IN USE	PILOT ORIFICE	HOSE SIZE
JIE - 810	110V	1P ~ 8P	PT 1/4"	20, 25(A)   32, 40, 50, 65(A)
JIE - 820	220V	1P ~ 8P		
JIE - 1010	110V	9P ~ 12P		
JIE - 1020	220V	9P ~ 12P		ø8

# PILOT SOLENOID VALVE



## ■ DIMENSIONS(mm)

MODEL	VOLTAGE	A(ORIFICE)	B	C	D	E	F	WEIGHT(kg)
JIES 301	110V	PT 1/4"	20	38	81	35	45	0.28
JIES 302	220V							

# HEATER FOR ENCLOSURES (AC ONLY)



MODEL	VOLTAGE	SPECIFICATION
JIEH	110V 220V	12~10°C START /24°C OFF

동절기에 엔클로즈 박스 내부의 온도편차에 의한 솔레노이드의 고장을 막기 위하여 히터 및 회로를 장착하여 10°C 이상 24°C 이하로 온도를 자동 조절하게 되어 있다.

We installed Heater and kit, which can automatically control the temperature between over 10°C and below 24°C, in order to prevent malfunction of Solenoid valve causing by temperature fluctuation in cold winter.