

# FLANGED BALL VALVE - DOUBLE ACTING

ROTARY ACTUATOR



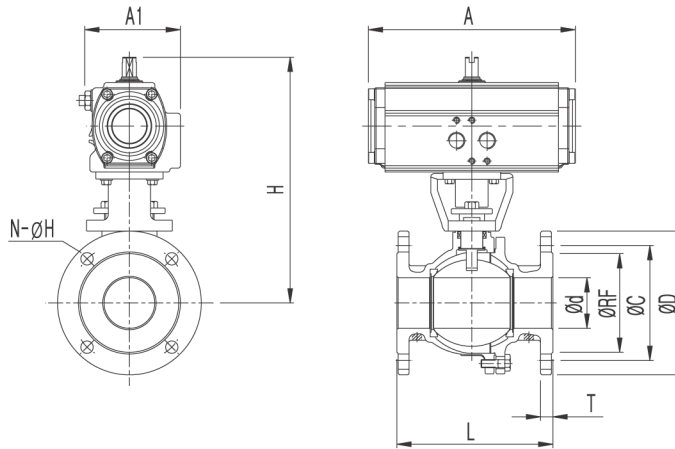
## ● Application

- Water distribution pipes
- Industrial cleaning machines
- Sterilizers, Boilers
- Air conditioners, Water filters
- Medical equipments, Vacuum packing
- Food & Beverage lines
- Vacuum distribution pipes

## ● Specification

Valve Size	15A ~ 250A		
Actuator Model	AD50 ~ AD200		
Actuator Type	Double Acting		
Operating Media	Compressed Dry Air		
Operating Pressure	4 ~ 7kg/cm <sup>2</sup>		
Rotating Angle	90° ± 5°		
Fluid Temperature	-10°C ~ 90°C (-10°C ~ 150°C)		
Rating	JIS10K (20K) (40K)	ANSI150# (300#) (600#)	
Body Material	SCS13 (SCS14)/Body	SUS304 (SUS316)/Ball	PTFE (RTFE, PEEK, METAL)/Seat
Accessory	Solenoid Valve, Air filter Regulator, Limit Switch Box, E/P Positioner		

※ ( ) Option



## ● Dimension

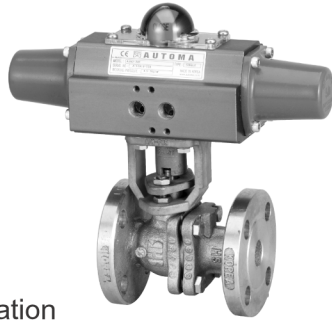
(mm)

Model	Size		A	A1	H (Approx)	L	END CONNECTION(JIS 10K RF)					
	mm	inch					T	ød	øRF	øC	øD	N-øH
AD50-15F	15A	1/2"	162	75	181	108	12	15	52	70	95	4-15
AD50-20F	20A	3/4"	162	75	184	117	14	20	58	75	100	4-15
AD50-25F	25A	1"	162	75	211	127	14	25	70	90	125	4-19
AD65-32F	32A	1-1/4"	202	89	217	140	16	32	80	100	135	4-19
AD65-40F	40A	1-1/2"	202	89	238	165	16	40	85	105	140	4-19
AD65-50F	50A	2"	202	89	246	178	16	50	100	120	155	4-19
AD80-65F	65A	2-1/2"	262	101	270	190	18	65	120	140	175	4-19
AD80-80F	80A	3"	262	101	313	203	18	80	130	150	185	8-19
AD100-100F	100A	4"	311	129	347	229	18	100	155	175	210	8-19
AD125-125F	125A	5"	390	151	462	356	20	125	185	210	250	8-23
AD140-150F	150A	6"	431	164	501	394	22	150	215	240	280	8-23
AD160-200F	200A	8"	506	189	579	457	22	200	265	290	330	12-23
AD200-250F	250A	10"	605	231	753	533	24	250	325	355	400	12-25

※ Actuator 250, 300 : Option

# FLANGED BALL VALVE - SINGLE ACTING

ROTARY ACTUATOR



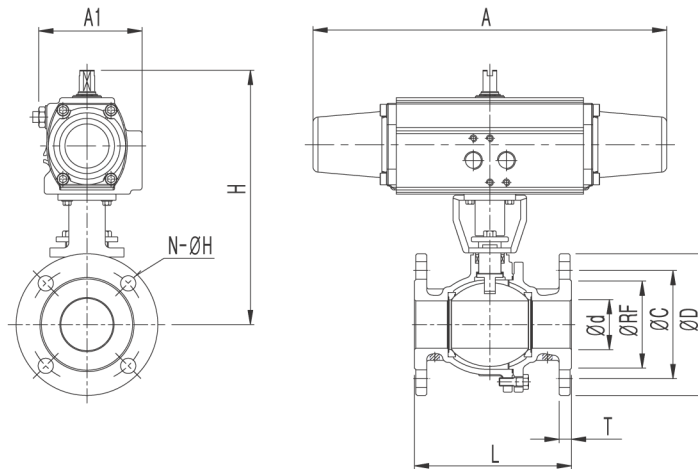
## ● Application

- Water distribution pipes
- Industrial cleaning machines
- Sterilizers, Boilers
- Air conditioners, Water filters
- Medical equipments, Vacuum packing
- Food & Beverage lines.
- Vacuum distribution pipes.

## ● Specification

Valve Size	15A ~ 200A		
Actuator Model	AS50 ~ AS200		
Actuator Type	Single Acting(Spring Return)		
Operating Media	Compressed Dry Air		
Operating Pressure	4.5 ~ 7kg/cm <sup>2</sup>		
Rotating Angle	90° ±5°		
Fluid Temperature	-10°C~ 90°C (-10°C~ 150°C)		
Rating	JIS10K (20K) (40K)	ANSI150# (300#) (600#)	
Body Material	SCS13 (SCS14)/Body	SUS304 (SUS316)/Ball	PTFE (RTFE, PEEK, METAL)/Seat
Accessory	Solenoid Valve, Air filter Regulator, Limit Switch Box, E/P Positioner		

※ ( ) Option



## ● Dimension

(mm)

Model	Size		A	A1	H (Approx)	L	END CONNECTION(JIS 10K RF)					
	mm	inch					T	Ød	ØRF	ØC	ØD	N-ØH
AS50-15F	15A	1/2"	257	75	181	108	12	15	52	70	95	4-15
AS50-20F	20A	3/4"	257	75	184	117	14	20	58	75	100	4-15
AS65-25F	25A	1"	314	89	193	127	14	25	70	90	125	4-19
AS65-32F	32A	1-1/4"	314	89	217	140	16	32	80	100	135	4-19
AS65-40F	40A	1-1/2"	314	89	238	165	16	40	85	105	140	4-19
AS80-50F	50A	2"	430	101	261	178	16	50	100	120	155	4-19
AS80-65F	65A	2-1/2"	430	101	270	190	18	65	120	140	175	4-19
AS100-80F	80A	3"	500	129	333	203	18	80	130	150	185	8-19
AS125-100F	100A	4"	606	151	368	229	18	100	155	175	210	8-19
AS140-125F	125A	5"	682	164	480	356	20	125	185	210	250	8-23
AS160-150F	150A	6"	781	189	525	394	22	150	215	240	280	8-23
AS200-200F	200A	8"	982	231	647	457	22	200	265	290	330	12-23

※ Actuator 250, 300 : Option