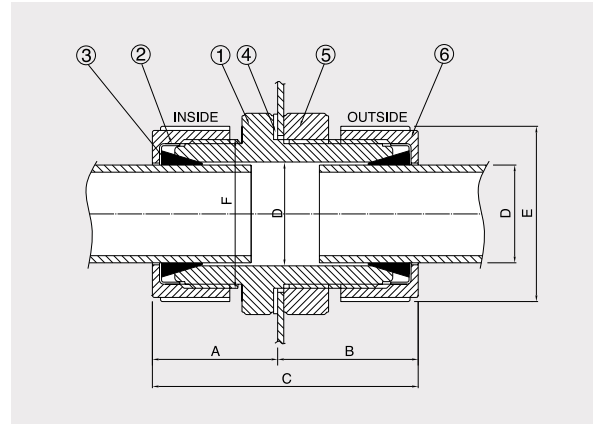


CONNECTOR

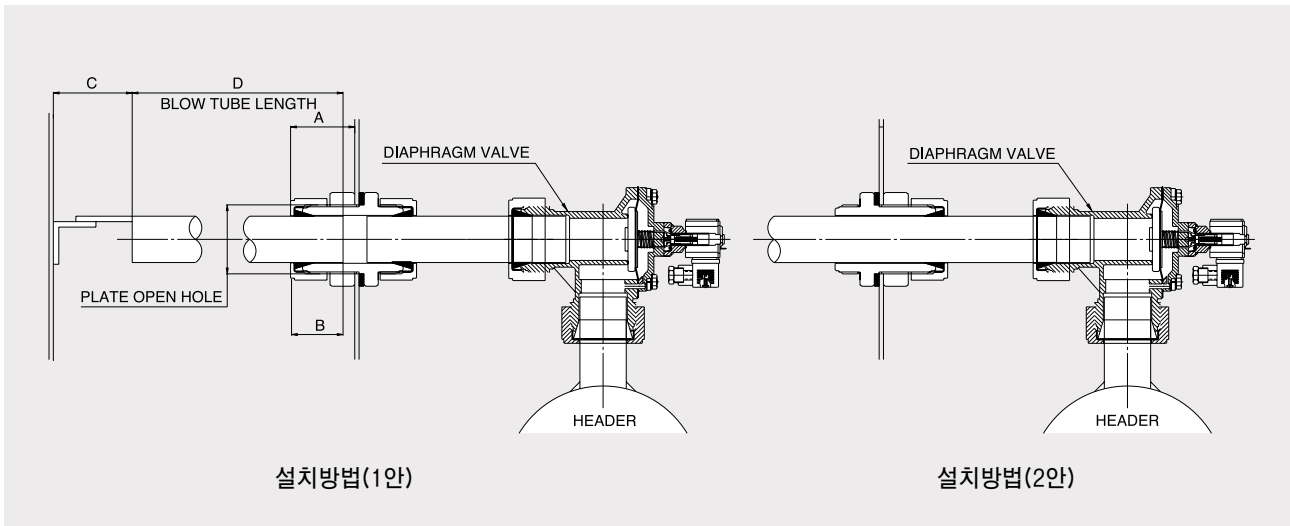
ALUMINUM DIE-CASTING



■ DIMENSIONS(mm)

| MODEL | PIPE SIZE | A | B | C | D OUT DIA | E | F | WEIGHT (kg) | PLATE OPEN HOLE SIZE |
|---------|-----------|----|------|-------|-----------------|-----|-------|----------------|-------------------------|
| JICN 20 | 3/4" | 47 | 49 | 96 | ø28.5 | 56 | ø40.6 | 0.4 | ø45 |
| JICN 25 | 1" | 55 | 58 | 113 | ø36 | 69 | ø52.7 | 0.75 | ø58 |
| JICN 40 | 1 1/2" | 61 | 71 | 132 | ø50 | 92 | ø68.6 | 1.35 | ø74 |
| JICN 50 | 2" | 73 | 78.5 | 151.5 | ø61.5 | 115 | ø88 | 2.2 | ø94 |

| NO | PART OF NAME |
|----|-------------------|
| 1 | BODY |
| 2 | GUIDE RING |
| 3 | COUPLING PACKING |
| 4 | CONNECTOR PACKING |
| 5 | CONNECTOR NUT |
| 6 | COUPLING NUT |



■ DIMENSIONS(mm)

| MODEL | A | B | C | D(공차) allowance |
|---------|----|----|----|-----------------|
| JICN 20 | 42 | 35 | 45 | (±5) |
| JICN 25 | 50 | 40 | 50 | (±5) |
| JICN 40 | 56 | 45 | 55 | (±5) |
| JICN 50 | 62 | 50 | 60 | (±5) |