

# POTENTIOMETER TRANSMITTER

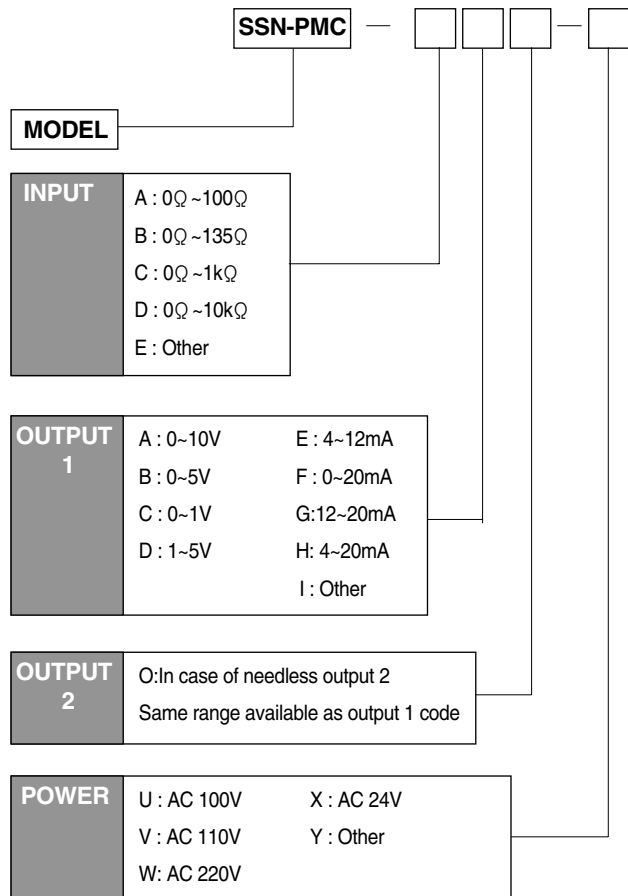
SSN-PMC



SSN-PMC is designed for converting the input signal that receives from potentiometer's sensor into process signal.

- Tank leveling.
- Positioning.
- 1 or 2 outputs are available from 1 input.
- Contains overvoltage protection circuit.
- Transformer isolation type.

## MODEL & SUFFIX CODE SELECTION



## GENERAL SPECIFICATIONS

Isolation/Type	Input to output to power/Transformer isolation type		
Power Supply	AC rating ±10%, approx 3.5VA		
Accuracy	±0.15%(Max)		
Temp Coefficient	±0.015% / °C (±0.008%/°F)		
Linearity	±0.02% F.S		
Insulation Resistance	Greater than 100MΩ with DC 500V		
Dielectric Strength	Input — Power	AC 2500V	1 minute
	Input — Output		
	Output 1 — Output 2	AC 1000V	
	GND — Power		
Front Adjustments	Zero and Span ±5%		
Ovrange Output	approx -10% ~ 110% at DC 1~5V		
Response Time	≤ 0.5 sec (0~90%)		
Operating Temperature/Humidity	-20~60°C / 90%(N,C)		
Storage Temperature/Humidity	-20°C~80°C / 95%(N,C)		
Dimensions	W40×H129×D138(mm)		
Case Material	Aluminum		
Weight	about 400g		
Mounting	Wall mounting		

### INPUT & OUTPUT SPECIFICATIONS

#### Input Specification

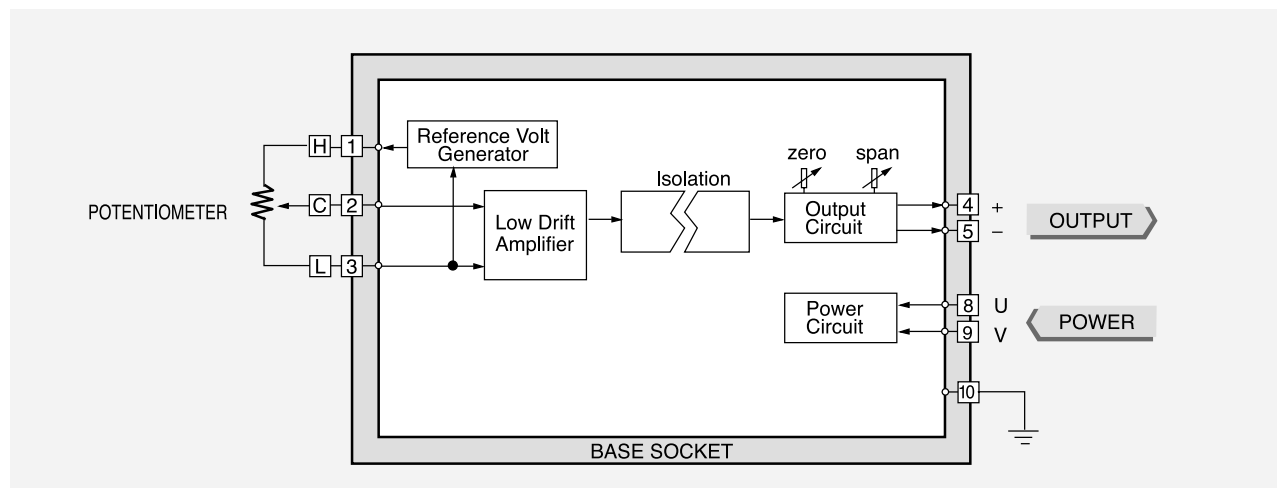
Specification	Report
Excitation	DC 0.5V

#### Output Load Resistance

Output	1 Point	2Point		Remark
	Output	Output-1	Output-2	
4 ~ 20mA	700Ω	600Ω	350Ω	(Max)
0 ~ 20mA	700Ω	600Ω	350Ω	(Max)
2 ~ 10mA	1200Ω	1200Ω	700Ω	(Max)
1 ~ 5V	5000Ω	5000Ω	5000Ω	(Min)
0 ~ 1V	1000Ω	1000Ω	1000Ω	(Min)

### BLOCK DIAGRAM

#### 1 Point Output



#### 2 Point Output

