

FREQUENCY TO DC

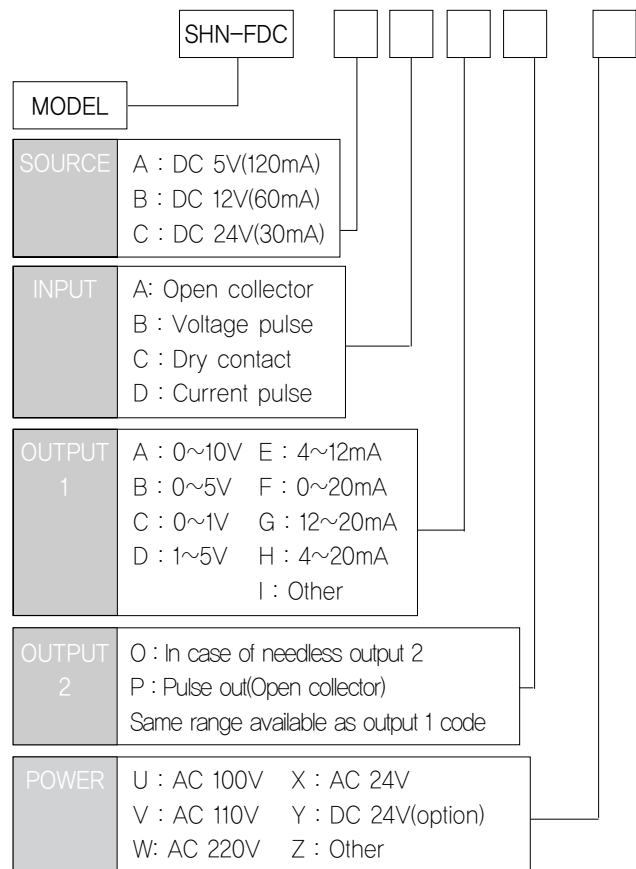
SHN-FDC



Converting the input signal receives from a pulse type transducer into a standard process signal.

- Averaging the non-uniformed pulses.
- Proximity switches.
- Positive displacement flowmeters, turbine flowmeters and vortex flowmeters.
- Oval flowmeters.
- Measuring rotating speed of a machine generate dry contact signals.
- Measuring moving speed of a machine with a rotary encoder.
- Contains overvoltage protection circuit.

MODEL & SUFFIX CODE SELECTION



GENERAL SPECIFICATIONS

Isolation/Type	Input to output to power/Transformer isolation type		
Power Supply	AC rating $\pm 10\%$, approx. 3.5VA DC rating $\pm 10\%$, (ripple 10%)100mA		
Accuracy	$\pm 0.15\%$ (Max)		
Temp Coefficient	$\pm 0.015\%$ / $^{\circ}\text{C}$ ($\pm 0.008\%$ / $^{\circ}\text{F}$)		
Linearity	$\pm 0.03\%$ F.S		
Insulation Resistance	Greater than 100M Ω with DC 500V		
Dielectric Strength	Input - Power	AC 2500V	1 minute
	Input - Output		
	Output 1 - Output 2		
	GND - Power		
Front Adjustments	Zero and Span $\pm 5\%$		
Overrange Output	approx. -10% ~ 110% at DC 1~5V		
Response Time	≤ 0.5 sec (0~90%)		
Operating Temperature/Humidity	-20~60 $^{\circ}\text{C}$ / 90%(N,C)		
Storage Temperature/Humidity	-20~80 $^{\circ}\text{C}$ / 95%(N,C)		
Dimensions	8 pin:W50xH85xD122(mm)		
	11 pin:W50xH85xD133(mm)		
Case Material	ABS Resin (black)		
Weight	about 400g		
Mounting	Wall & Rail mounting		

INPUT & OUTPUT SPECIFICATIONS

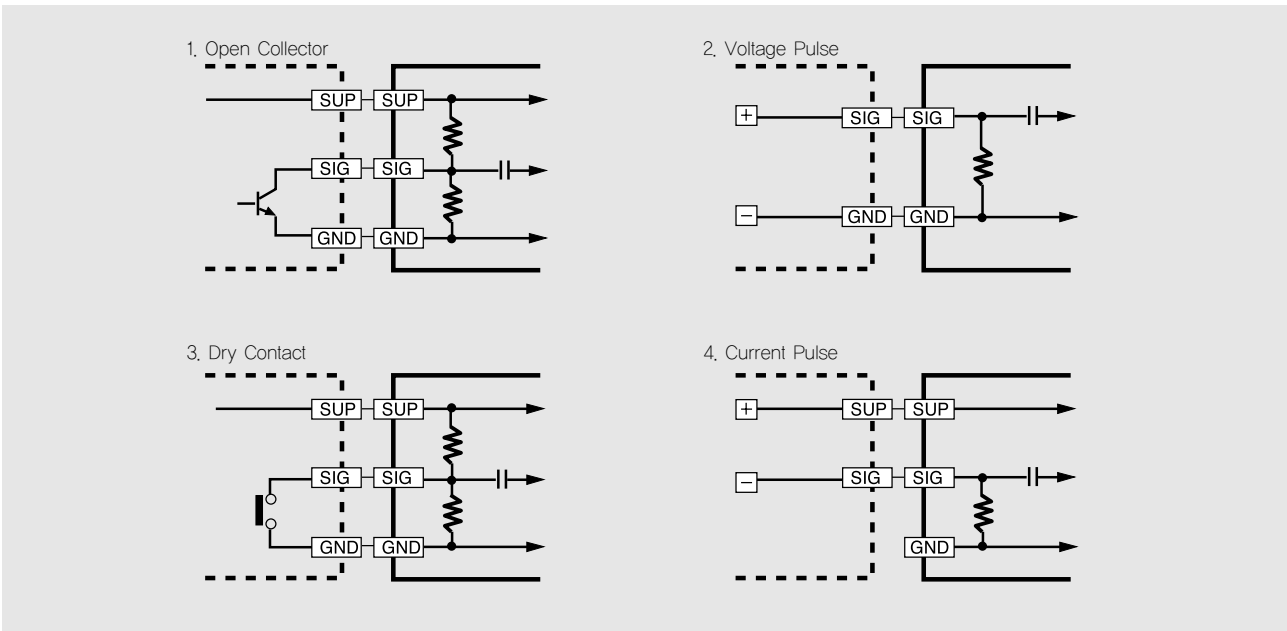
Input Impedance

Specifications	Report	
LOW Frequency Range	0.125Hz~5Hz(option)	
HIGH Frequency Range	5Hz~9.999KHz	
Open Collector SPEC	Pulse Width	10msec, at 20Hz
	Duty Ratio	20~80%
	Sensing	DC 12V at 3mA
	Input Amplitude	2V for ON, 3V for off
Square or Sine Waveforms		
Voltage Pulse SPEC	Pulse Width	10msec, at 20Hz
	Duty Ratio	20~80%
	Input Amplitude	50mV(p-p)~50V(p-p)
	Input Impedance	62KΩ
Current Pulse SPEC	Input Impedance	250Ω

Output Load Resistance

Output	1 Point	2 Point		Remark
	Output	Output-1	Output-2	
4 ~ 20mA	700Ω	600Ω	350Ω	(Max)
0 ~ 20mA	700Ω	600Ω	350Ω	(Max)
2 ~ 10mA	1200Ω	1200Ω	700Ω	(Max)
1 ~ 5V	5000Ω	5000Ω	5000Ω	(Min)
0 ~ 1V	1000Ω	1000Ω	1000Ω	(Min)

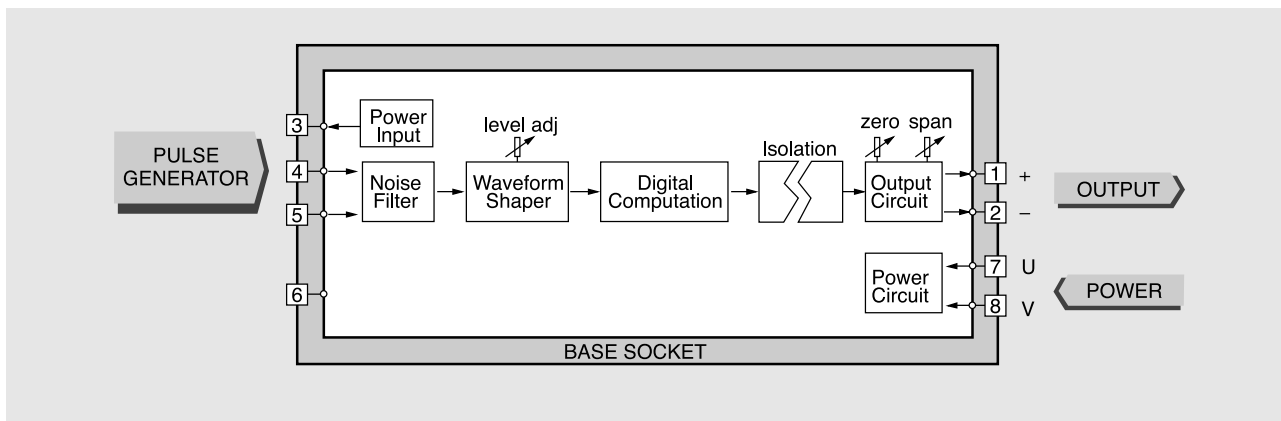
INPUT CONNECTION EXAMPLES



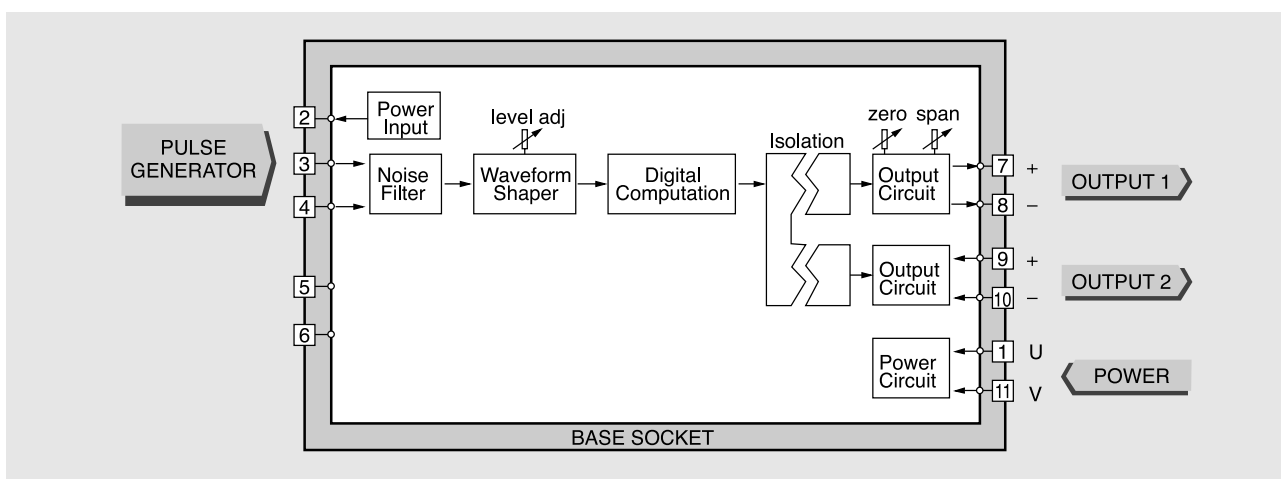
SIGNAL TRANSMITTER SHN-FDC

BLOCK DIAGRAM

1 Point Output



2 Point Output



Pulse Output(Optional)

