

pH(ORP)지시, 전송기

pH(ORP) TRANSMITTER

OUTLINE

The SH7300R is a microprocessor based digital pH(ORP) transmitter provides digital field indicator with 2 wired 4-20mA DC output and 24VDC power input.

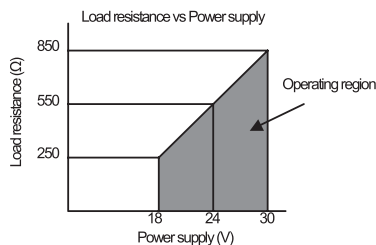
FEATURES

- EASY BUFFER CALIBRATION
- LARGE LCD DISPLAY
- SIMPLE FRONT OPERATION
- SELF DIAGNOSTICS
- ANTIMONY ELECTRODE



SPECIFICATIONS

Input: Glass electrode, Antimony electrode(pH) or metal electrode(ORP)
Input range: 0.00 ~ 14.00pH or -1.500 ~ 1.500V (ORP)
Output range: Programmable, 4pH (0.5V at ORP) in span min.1pH increment (0.1V at ORP)
Output: 4 ~ 20mA DC isolated, 2-wired, 550Ω max. at 24VDC
Display: Process variable, temperature, 4 d ± igits, LCD
Linearity: ± 0.03pH (± 3mV) or ± 0.3% whichever larger
Repeatability: ± 0.01pH (± 1mV) or ± 0.1 % whichever larger
Power supply voltage: 18 ~ 30V DC



Buffer calibration: JIS pH standard solution, auto-calibration or manual-calibration

Temperature compensation: Only for glass electrode.
0 ~ 100°C

Temp.sensor: Pt1000

Material:

Case: aluminum casting

Top sheet: Polyester film

Cable conduit: G1/2 (PF1/2 female)

Case: Rain-proof equivalent to IP67 or NEMA4

Case color: Blue (Munsell 10B 5/10)

Mounting: 2B(2 inch) pipe or wall mount

Operation conditions: -10 ~ 60°C. 5 ~ 95%RH

Weight: Approx. 1.5 kg

FUNCTIONS

Temp. cable compensation: Automatic

Output hold: Keeps current output

Key lock: Provided to avoid miss-resetting

Shift function: 0.01 pH increments within ± 2.0pH
0.1°C increments within ± 5.0°C

Self diagnostics: pH 0.00pH (-1.500V of ORP) and below, pH 14.00pH (1.500V of ORP) and above, temp. -30°C and below, temp. 130°C and above. electromotive force error at 7pH buffer solution and per pH, identification of error contents on the display or E²PROM error

OPTIONS

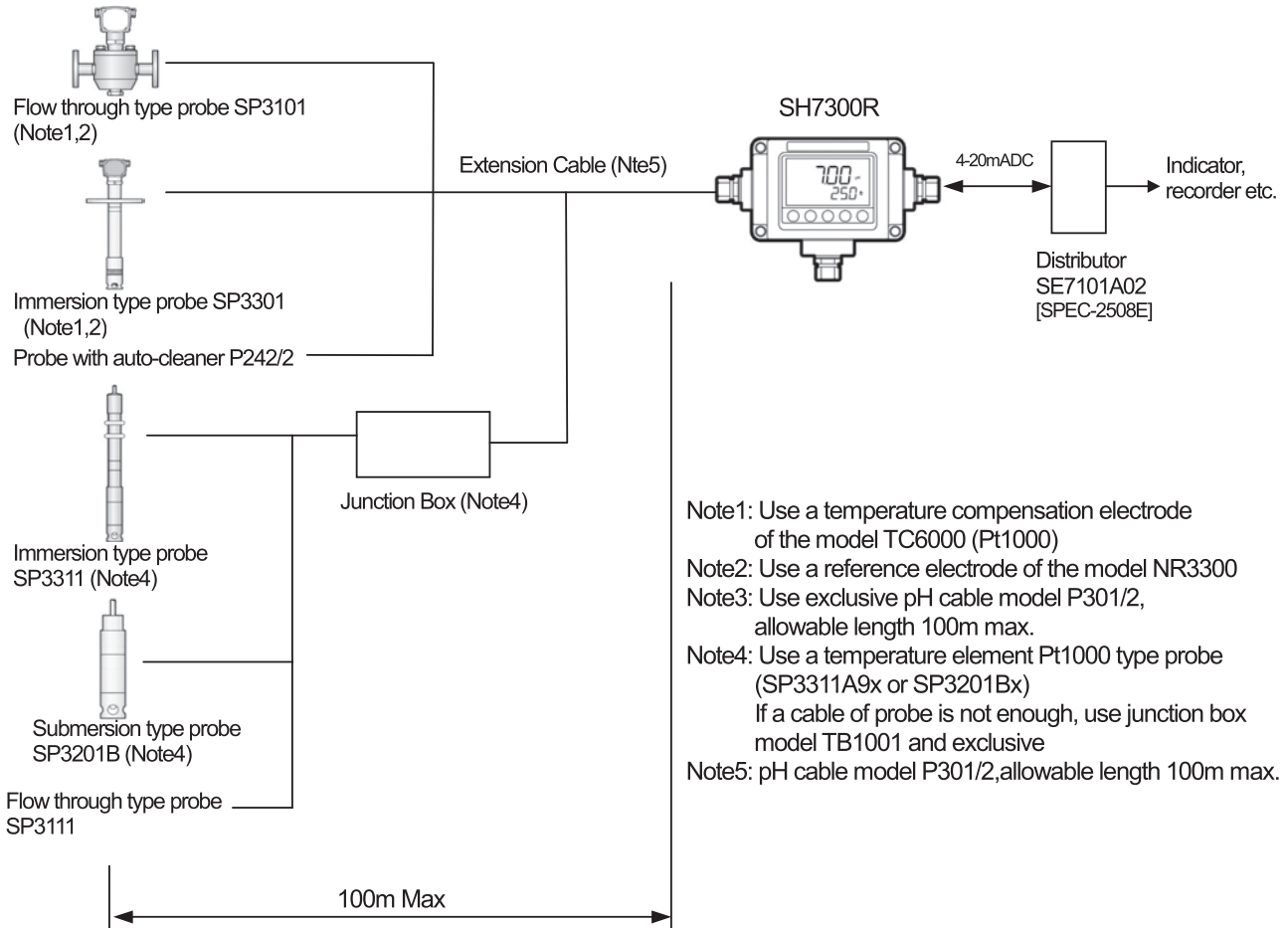
Solution temp. compensation:

0.000 ~ 0.050pH/°C for high purity water

Mounting bracket: For 2B pipe

Hood: Against sunlight

PROBE & TRANSMITTER CONNECTION

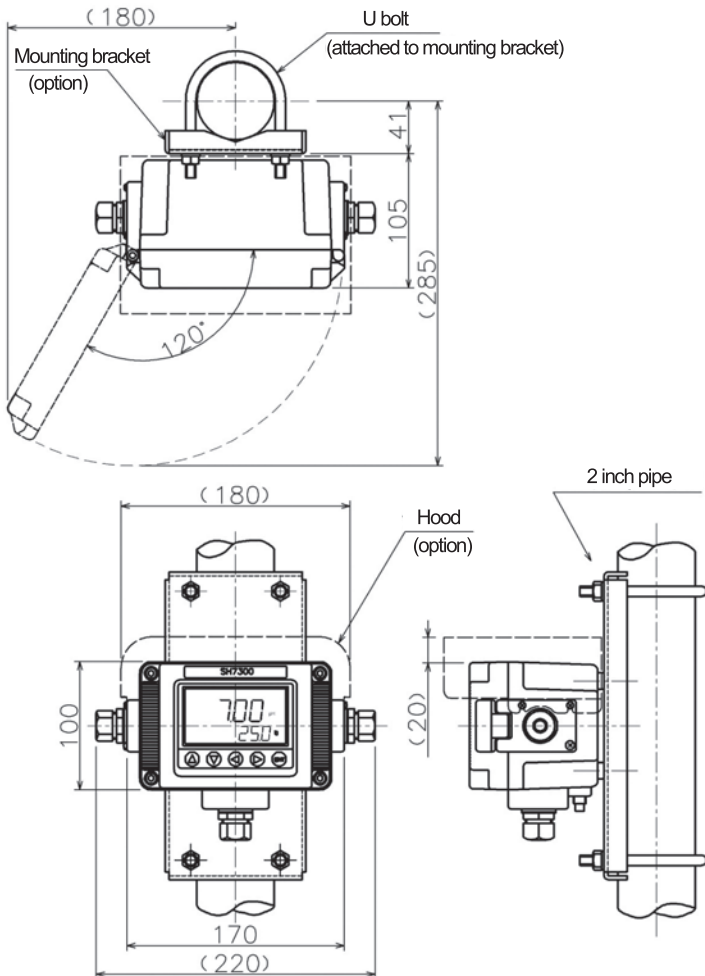


- Note1: Use a temperature compensation electrode of the model TC6000 (Pt1000)
- Note2: Use a reference electrode of the model NR3300
- Note3: Use exclusive pH cable model P301/2, allowable length 100m max.
- Note4: Use a temperature element Pt1000 type probe (SP3311A9x or SP3201Bx)
If a cable of probe is not enough, use junction box model TB1001 and exclusive
- Note5: pH cable model P301/2, allowable length 100m max.

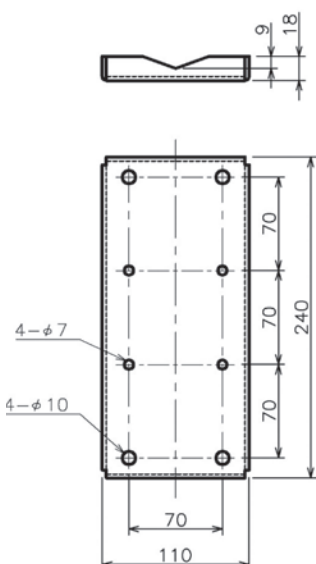
A
B
C
D
E
F
G

DIMENSIONS

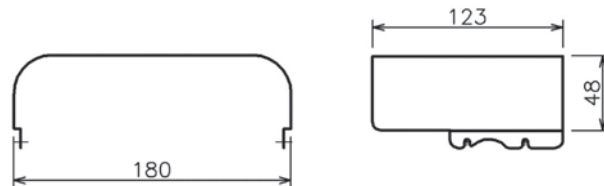
UNIT : mm



MOUNTING BRACKET



HOOD

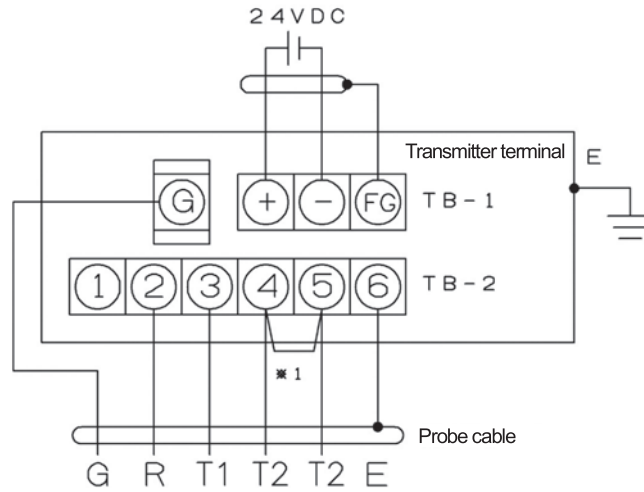
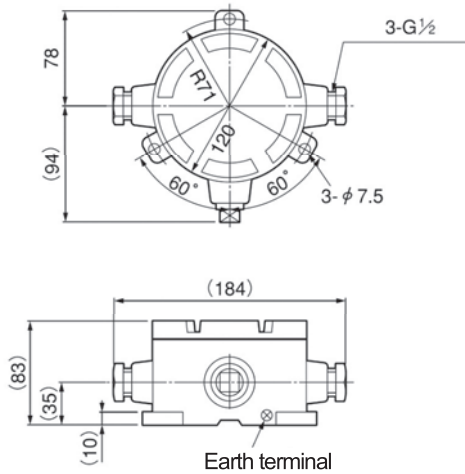


JUNCTION BOX

TERMINAL ASSIGNMENT

(Unit: mm)

TB1001



Note1: When two T terminals type detector, wire 3 and 4 number terminal in TB-2, and connect a jumper between terminals 4 and 5.

MODEL CODE NUMBER

MODEL	DESCRIPTION	
SH73	Digital pH(ORP) transmitter	
INPUT	01R	Glass electrode
	02R	ORP electrode
	03R	pH Metal electrode (Antimony)
SOLUTION TEMPERATURE COMPENSATION	0	None
	1	Installed
OPTION	N	None
	A	Hood
	B	Mounting Bracket
	C	Hood & Mounting Bracket
SPECIFIC SPECIFICATION	00	None
	10	Custom, consult factory

A
B
C
D
E
F
G