

The NT 3100 series of pressure transmitter, adjustable Zero and Span in the field are extremely versatile and suitable for measuring.

Moreover it uses high accuracy trusty with stainless steel diaphragm which is possible to measure 0~0.06 to 25kg/cm² and 0~1 to 1,000kg/cm².

FEATURES

- Easy to adjust Zero and Span
- Temperature compensated
- Excellent corrosion and steel diaphragm
- High accuracy and low temperature drift
- Shock and vibration resistant



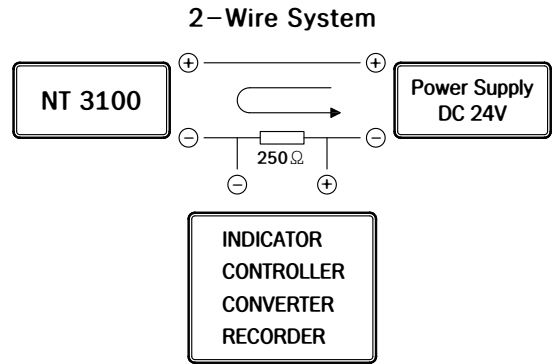
SPECIFICATIONS

- ▶ **Media** : Gas, Oil, Water
- ▶ **Measuring range** : 0~0.06 to 25kg/cm², 0~1 to 1000kg/cm²
- ▶ **Over load** : 300% of max span
- ▶ **Electric specification character**
 - Power : DC 18~26V, Ripple ≤ 500mV p-p
 - Output : DC 4.00~20.00mA
 - Load resistance : 500Ω at DC 24V
- ▶ **Accuracy** : ±0.2% FSO
 - Linearity : 0.100% FSS
 - Repeatability : 0.015% FSS
 - Hysteresis : 0.010% FSS
 - Thermal sensitivity shift : 0.500% FSS
 - Thermal zero shift : 0.500% FSS
- ▶ **Shock resistance** : ≤ 20G
- ▶ **Cutoff frequency(-3dB)** : 0...>5kHz
- ▶ **Temperature compensated** : 0~82°C
- ▶ **Operating temperature range** : -40~125°C
- ▶ **Material of construction isolating**
 - Diaphragm : SUS316L
 - Wetted plug : SUS316
 - Gasket O-ring : Viton
 - Case(Head) : AL die-casting
- ▶ **Process connection** : PT3/8"(STD), PT1/4", PT1/2"
- ▶ **Weight** : About 270g

ORDERING CODE

Model	Type	Range	Connection	Description
NT3100-X-XX-X-X	G			Gauge pressure
	A			Absolute pressure
		01		0~0.2kgf/cm ²
		02		0~0.5kgf/cm ²
		03		0~1kgf/cm ²
		04		0~2kgf/cm ²
		05		0~5kgf/cm ²
		06		0~10kgf/cm ²
		07		0~20kgf/cm ²
		08		0~35kgf/cm ²
		09		0~50kgf/cm ²
		10		0~100kgf/cm ²
		11		0~200kgf/cm ²
		12		0~300kgf/cm ²
		21		-76cmHg~0kgf/cm ²
		22		-76cmHg~1kgf/cm ²
		23		-76cmHg~2kgf/cm ²
		24		-76cmHg~5kgf/cm ²
		25		-76cmHg~10kgf/cm ²
		26		-76cmHg~20kgf/cm ²
		ZZ		
			A	PT3/8"(STD)
			B	PT1/4"
			C	PT1/2"
			0	Head type
			1	Explosion proof
			2	Connector type
			3	Lead wire

TERMINAL DIAGRAM



DIMENSION & PANEL CUT

