

FEATURES

- Multi-range input (T/C, RTD, Volt, mA)
- High accuracy 16bit A/D converter
- Peak hold function (Highest & Lowest)
- Burnout function
- 2 points alarm & Dead band set



SPECIFICATIONS

- | | |
|---|---|
| <ul style="list-style-type: none"> ▶ Measuring and display cycle : 100ms ▶ Input resistance : Max 1MΩ ▶ CMRR(Common Mode Rejection Ratio) : 140dB or more ▶ NMRR(Normal Mode Rejection Ratio) : 60dB or more ▶ Moving average filter ▶ Accuracy : ±0.2% FS ▶ Alarm output : 2-SPDT, 1-SPDT Contact output type : Normal open, Normal close Max switching power : 60W 125VA Max switching voltage : DC 220V, AC 250V Max switching current : DC 2A, AC Max Carrying current : DC 3A, AC ▶ Power supply Voltage : AC 110/220V(50~60Hz) DC 24V(Option) Power consumption : Max 4VA Isolation resistance : 100MΩ, DC 500V (FG-Input, FG-Power, Power-Input, Input-Output) | <ul style="list-style-type: none"> ▶ Ambient temperature & Humidity Operation : -10~50°C, 10~90% Storage : -20~70°C, 5~95% ▶ Material Case & Cover : ST 304 Stem : ST 304, ST 306 Socket : ST 304, ST 306, ST 304L, ST 306L, Titanium, Monel, Hastelloy, Teflon Lining, Glass Lining ▶ Dial Size : ∅100 ▶ Connection Size : PF 1/2"(STD) ▶ Stem out dia : ∅3.2, ∅4.8, ∅6.4, ∅8.0mm ▶ Enclose class : Drip proof ▶ Cable Gland : PF 1/2" ▶ Etc Weight : 600g Mounting : Local mount |
|---|---|

INPUT TYPE

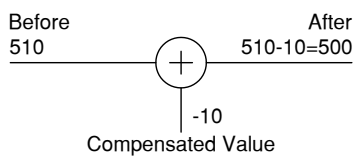
| Sensor Type | Range | Scale | Symbol |
|-------------|-----------|----------------|--------|
| TC | R(PR 13%) | 0~1750°C | ℓℓ-r |
| | K(CA) | -200~1350°C | ℓℓ-ℓ |
| | E(CRC) | -200.0~700.0°C | ℓℓ-E |
| | J(IC) | -200.0~800.0°C | ℓℓ-J |
| | T(CC) | -200.0~400.0°C | ℓℓ-t |
| PT | Pt100Ω | -199.9~800.0°C | d-Pℓ |
| | JPt100Ω | -199.9~500.0°C | J-Pℓ |

MAJOR FUNCTIONS

► **Sensor compensation function**

The function is useful for compensating error by long sensor line or changed zero point by aged sensor.

Ex) Before sensor adjust = 510°C
 After sensor adjust
 = measured value + compensated value
 = 510 - 10 = 500°C



► **Alarm function**

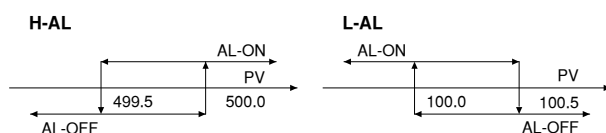
Alarm type : High, Low

The alarm consists of 2 relays, and it can output relay contact output individually.

Ex) AL-1 : High alarm value 500.0,
 AL-2 : Low alarm value 100.0,
 Alarm dead band setting 0.5

The high alarm(AL-1) is ON when the present value(PV) is 500.0 or more, and OFF when 499.5 or less.

The low alarm(AL-2) is OFF when the present value(PV) is 100.5 or more, and ON when 100.0 or less.



► **Peak hold function**

Peak mode 0 High peak mode

Remember the highest input value and display the highest value when pressing the key.

Peak mode 1 Low peak mode

Remember the lowest input value and display the lowest value when pressing the key.

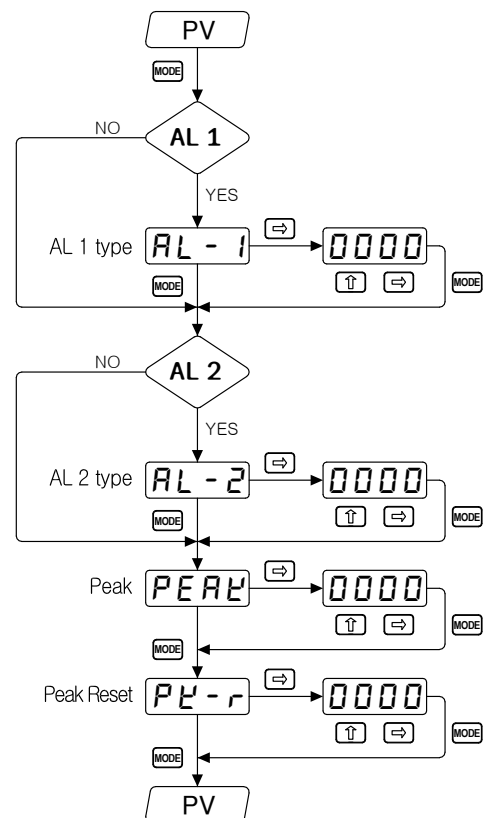
Peak mode 2 High peak & Display mode

Remember the highest input value, display the highest value in ordinary times, and output the highest transmit output.

Peak mode 3 Low peak & Display mode

Remember the lowest input value, display the lowest value in ordinary times, and output the lowest transmit output.

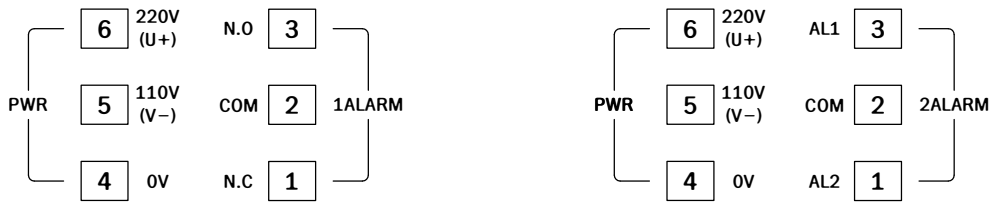
OPERATION MODE



ORDERING CODE

| Model | Type | Power | Input | Stem (dia x Length + Connection size) | Well | Description | |
|-------------|------|-------|-------|---|------|-------------------|---------------------------|
| IC 48XX-XXX | 1 | | | | | Direct mount type | |
| | | | | | | Remotemount type | |
| | | | | | | | AC 110/220V |
| | | | | | | | DC 24V |
| | | | | | | | Etc |
| | | | | | | | PT (Pt, JPT) |
| | | | | | | | T/C (R, S, T, E, IC, K) |
| | | | | | | | Etc |
| | | | | | 1 | | Ø8.0 X 100L + PF1/2"(STD) |
| | | | | | 2 | | Others |
| | | | | | 0 | None | |
| | | | | | 1 | Well spec' | |

TERMINAL DIAGRAM



- * DC 24V Power (Option)
- * Alarm Rating : AC 250V 2A(Resistance Load)

DIMENSION & PANEL CUT

