

Bourdon Tube Pressure Gauges with Electrical Output Signal Stainless Steel Case Type PGT21

WIKA Datasheet PGT21

Applications

- CNG operated vehicles
- General machine building

Special features

- Non-contact sensor (wear-free)
- Nominal size 2" (50 mm)
- Robust stainless steel case
- Scale ranges 0/30 PSI to 0/6,000 PSI
- Choice of output signals

Standard Features

Design

ASME B40.100 & EN 837-1

Sizes

2" (50 mm)

Accuracy class

± 3/2/3% of span (ASME B40.100 Grade B)

Range

0/30 PSI to 0/6,000 PSI
or other equivalent units of pressure or vacuum

Working pressure

Steady: 3/4 x full scale value
Fluctuating: 2/3 x full scale value
Short time: full scale value

Operating temperature

Ambient: -4°F to +140°F (-20°C to +60°C)
Medium: +190°F (+90°C) maximum

Temperature error

Additional error when temperature changes from reference temperature of 68°F (20°C) ±0.4% for every 18°F (10°C) rising or falling. Percentage of span.

intelliGAUGE®



intelliGAUGE Type PGT21

Pressure connection

Material: Copper alloy
Lower mount (LM) or center back mount (CBM)
1/4" NPT or G 1/4B, 14 mm flats

Bourdon tube

Material: Copper-alloy, C-type

Movement

Copper alloy

Dial

White plastic with black lettering and stop pin

Pointer

Black plastic

Case

Stainless steel

Window

Clear plastic

Weather protection

NEMA 4X / IP 65

Electronics

Output signal (275° scale angle)

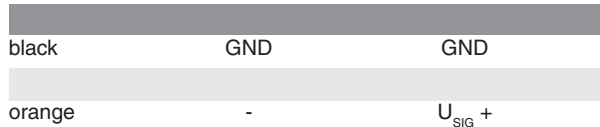
0.5 to 2.5 V @ 5 V DC
 0.5 to 3.5 V @ 5 V DC
 0.5 to 4.5 V @ 5 V DC
 0.5 to 2.5 V, $V_S = 12$ to 32 V DC
 0.5 to 3.5 V, $V_S = 12$ to 32 V DC
 0.5 to 4.5 V, $V_S = 12$ to 32 V DC
 4 to 20 mA, 2-wire, $V_S = 12$ to 32 V DC

Supply voltage (V_S)

5 V DC / 12 to 32 V DC

Electrical connections

Cable outlet



Electromagnetic compatibility

According to European test standards EN 61000-4-6 / EN 61000-4-3

Output signal and allowed load

Output voltage (3-wire):

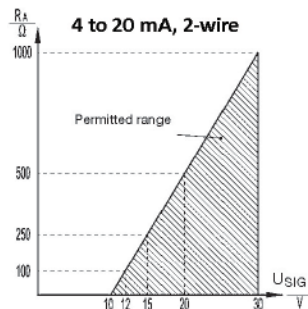
$R_A > 5$ kOhm

Output current (2-wire):

4-20 mA:

$R_A < (U_{SIG} - 10 \text{ V}) / 0.02 \text{ A}$ with

R_A in Ohm and U_{SIG} in V DC



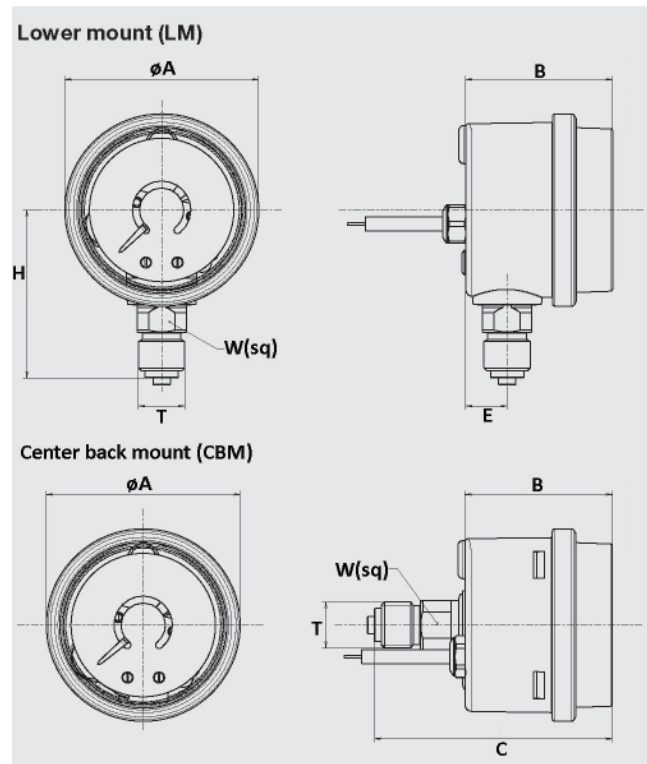
CE mark

This product is exclusively intended for installation in instruments that comply with the requirements of the EC directives. The CE proof is provided by the customer.

Optional extras

- Other pressure connections
- Weather protection NEMA 6 / IP 67
- Accuracy $\pm 2/1/2\%$ of span
- Custom dial layout
- Other pressure scales available
bar, kPa, MPa, kg/cm² and dual scales

Dimensions



Dimensions		A	B	C	E	H	T	W	Weight
2"	mm	55	34	63	12	48	14	14	0.2 kg
	in	2.17	1.34	2.48	0.47	1.89	1/4"	0.55	0.44 lb

Ordering information

Pressure gauge model / Nominal size / Scale range / Size of connection / Optional extras required
 Specifications and dimensions given in this leaflet represent the state of engineering at the time of printing.
 Modifications may take place and materials specified may be replaced by others without prior notice.



WIKI Instrument Corporation

1000 Wiegand Boulevard
 Lawrenceville, GA 30045
 Tel (770) 513-8200 Toll-free 1-888-WIKA-USA
 Fax (770) 338-5118
 E-Mail info@wika.com
 www.wika.com