

Bimetal Thermometer

Model. DS-2040T Series

DAESHIN

Summary

DS-2040T Series는 열팽창계수가 서로 다른 두개의 금속판을 접합한 것으로서 구조가 간단하고 취급이 용이하며 측정시 눈금을 읽기가 쉽고 가격이 저렴하여 사용범위가 넓은 온도계입니다. 식품가공기 등 위생용 라인의 온도측정이나 각종 Flant의 온도 측정에 주로 이용되고 있습니다.

Diameter

75,100,125,150 mm

Accuracy

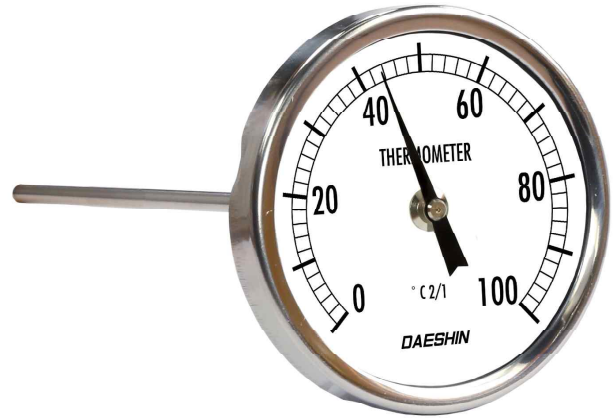
75,100,125,150 mm : $\pm 2.0\%$ of Full Scale

Scale Range

75,100,125,150 mm : $-30 \sim 600\text{ }^{\circ}\text{C}$

Common Temperature

75% of Full Scale



Model. DS-2041T

Standard features

Pressure connection

STS 304

Well

STS 304
Titanium, Monel, Hastelloy
Teflon Lining, Glass Lining

Case, Cover

STS 304

Type

DS-2041T (75mm Direct Type)
DS-2042T (100mm Direct Type)
DS-2043T (125mm Direct Type)
DS-2044T (150mm Direct Type)

Window

General Glass
Safety Glass

Process connection

75mm : 1/4", 3/8", 1/2", 3/4" PT & NPT, PF
100mm : 1/4", 3/8", 1/2", 3/4", 1" PT & NPT, PF
125mm : 1/4", 3/8", 1/2", 3/4", 1" PT & NPT, PF
150mm : 1/4", 3/8", 1/2", 3/4", 1" PT & NPT, PF

Dial

Aluminum
White Coating

Stem Out Dia

$\varnothing 6.4, \varnothing 8, \varnothing 10, \varnothing 12$ / STS 304, STS 316

Pointer

Aluminum
Black Coating

Standard Scale Range & Stem Length

Scale Range ($^{\circ}\text{C}$)	Stem Length (mm)
$-20 \sim 80$	50
$-20 \sim 100$	50
$0 \sim 50$	75
$0 \sim 80$	50
$0 \sim 100$	50
$0 \sim 120$	50
$0 \sim 150$	45
$0 \sim 200$	40
$0 \sim 250$	35
$0 \sim 300$	75
$0 \sim 350$	65
$0 \sim 400$	60
$0 \sim 500$	60
$0 \sim 600$	60

Pressure Gauge

Accessories

Thermometer

Thermocouple & R.T.D

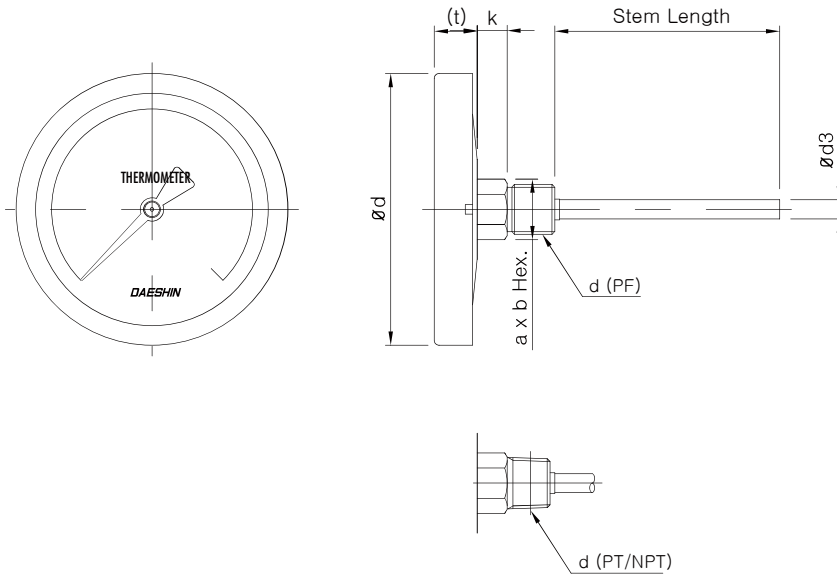
Thermowell

Bimetal Thermometer

Model. DS-2040T Series

DAESHIN

외형도



Model. DS-2041T

표준사양

Dimensions (mm)

Dial	Model No.	Connection (d)	Ød	Ød3	t	k	a x b
75	DS-2041T	PF & PT & NPT 1/4	87	6.4, 8	(18)	8	17 x (19.6)
		PF & PT & NPT 3/8		6.4, 8, 10		10	19 x (21.9)
		PF & PT & NPT 1/2		6.4, 8, 10, 12		12	22 x (25.4)
		PF & PT & NPT 3/4		6.4, 8, 10, 12		14	27 x (31.1)
100	DS-2042T	PF & PT & NPT 1/4	114	6.4, 8	(18)	8	17 x (19.6)
		PF & PT & NPT 3/8		6.4, 8, 10		10	19 x (21.9)
		PF & PT & NPT 1/2		6.4, 8, 10, 12		12	22 x (25.4)
		PF & PT & NPT 3/4		6.4, 8, 10, 12		14	27 x (31.1)
		PF & PT & NPT 1		6.4, 8, 10, 12		16	36 x (41.5)
125	DS-2043T	PF & PT & NPT 1/4	128	6.4, 8	(18)	18	17 x (19.6)
		PF & PT & NPT 3/8		6.4, 8, 10		20	19 x (21.9)
		PF & PT & NPT 1/2		6.4, 8, 10, 12		22	22 x (25.4)
		PF & PT & NPT 3/4		6.4, 8, 10, 12		24	27 x (31.1)
		PF & PT & NPT 1		6.4, 8, 10, 12		26	36 x (41.5)
150	DS-2044T	PF & PT & NPT 1/4	174	6.4, 8	(27)	18	17 x (19.6)
		PF & PT & NPT 3/8		6.4, 8, 10		20	19 x (21.9)
		PF & PT & NPT 1/2		6.4, 8, 10, 12		22	22 x (25.4)
		PF & PT & NPT 3/4		6.4, 8, 10, 12		24	27 x (31.1)
		PF & PT & NPT 1		6.4, 8, 10, 12		26	36 x (41.5)

Pressure Gauge

Accessories

Thermometer

Thermocouple & R.T.D

Thermowell