

# Liquid Filled Type Thermometer (with Contact)

## Model. DS-2020 Series

# DAESHIN

### Summary

DS-2020 Series는 온도측정의 원리 및 구조는 압력식 온도계와 동일하며 상,하한 설정 지침을 설치하여 온도의 상승, 하강시에 접점신호를 발생시킵니다.

각종 온도제어 및 각종 보일러, 변압기 등등에서 쓰여지고 있으며, 설치시 가능한 Well을 설치하여 주시고 정격전압이하로 결선함에 주의하여 주시기 바랍니다.

### Diameter

100,150 mm

### Accuracy

100,150 mm : ±2.0% of Full Scale

### Scale Range

100,150 mm : -30 ~ 650 °C

### Common Temperature

75% of Full Scale



Model. DS-2021

Model. DS-2023

Pressure Gauge

Accessories

Thermometer

Thermocouple & R.T.D

Thermowell

## Standard features

### Pressure connection

STS 304, STS 316

### Case, Cover

STS 304

### Window

Poly Carbonate

### Dial

Aluminum  
White Coating

### Pointer

Phosphor Bronze  
Black Coating

### Well

STS 304  
Titanium, Monel, Hastelloy  
Teflon Lining, Glass Lining

### Type

DS-2021 (Capillary Surface Type)  
DS-2022 (Capillary Panel attachment Type)  
DS-2023 (Direct Rimless Type)  
DS-2024 (Direct Flush Mounting Type)

### Process connection

100mm : 1/2" PT & NPT, PF  
150mm : 1/2" PT & NPT, PF

### Capillary Tube

Standard 2M (Maximum 10M)

### Stem Out Dia

Ø8, Ø10, Ø12 / STS 304, STS 316

### Contact Rating

AC 125V 0.5A / 250V 0.25A

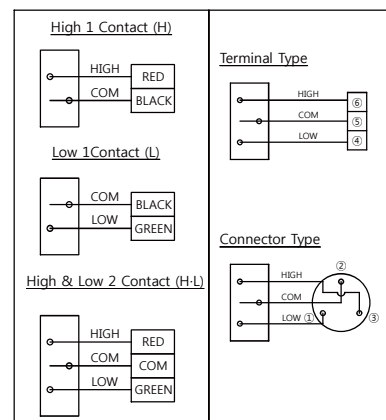
### Contact Type

High and Low 2 Contact  
(High or Low, High & High,  
High & Low, Low & Low)

### Standard Scale Range & Stem Length

Scale Range	Stem Length (mm)		
	Ø8	Ø10	Ø12
-20 ~ 80	50	60	50
-20 ~ 100	50	60	50
0 ~ 50	83	60	50
0 ~ 80	50	60	50
0 ~ 100	50	60	50
0 ~ 120	50	60	50
0 ~ 150	50	60	50
0 ~ 200	50	60	50
0 ~ 250	50	60	50
0 ~ 300	50	60	50
0 ~ 350	75	53	50
0 ~ 400	70	53	48
0 ~ 500	62	48	44
0 ~ 650	55	45	42

### Connection Diagram

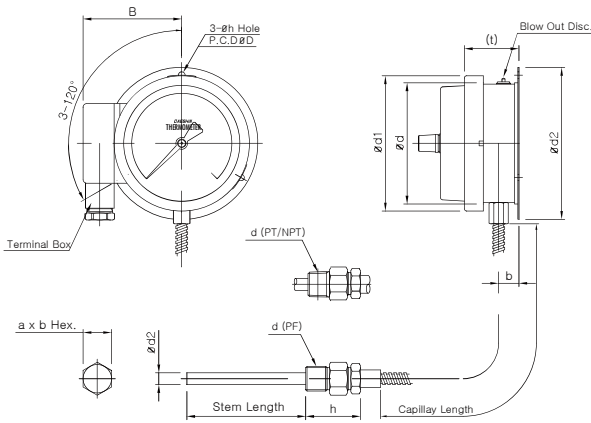


# Liquid Filled Type Thermometer (with Contact)

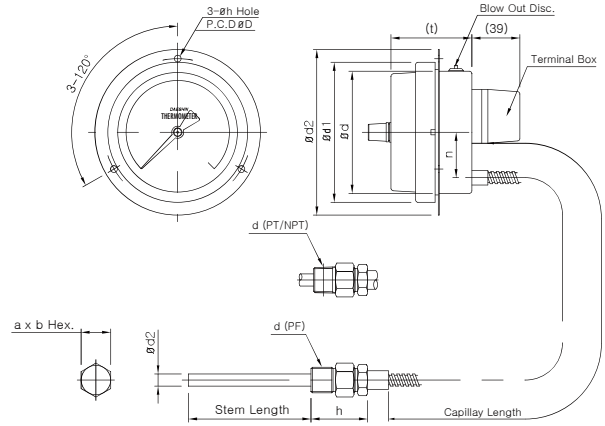
## Model. DS-2020 Series

# DAESHIN

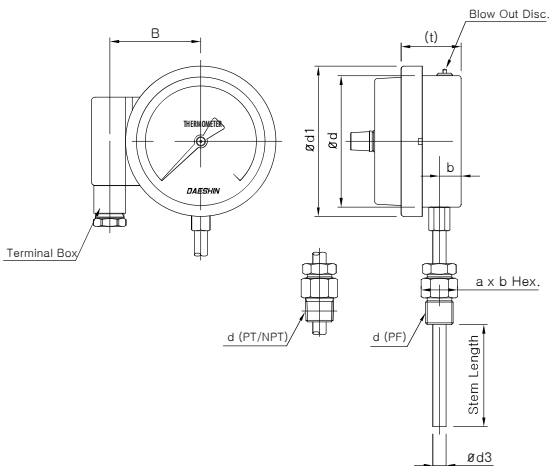
### 외형도



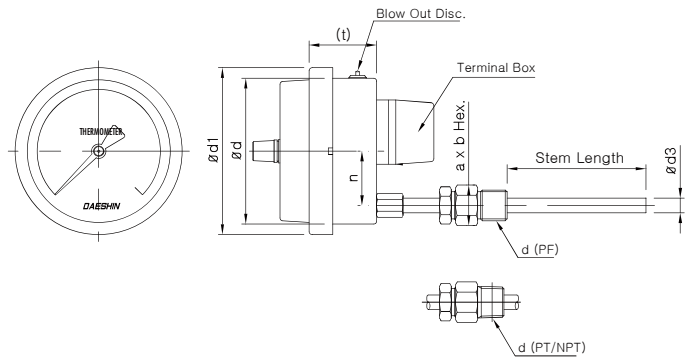
Model. DS-2021



Model. DS-2023



Model. DS-2022



Model. DS-2024

### 표준사양

Dimensions (mm)

Dial	Model No.	Connection (d)	Ø d	Ø d1	Ø d2	Ø d3	b	n	t	h	Ø h	Ø D	a x b
100	DS-2021	PF 1/2	100	114	128	8	17	-	(56)	(50)	5.5	115	24 x (27.7)
	DS-2022	PT & NPT 1/2			135		-	37		(48)			
	DS-2023	PF 1/2			-	10	17	-		(50)	-		
	DS-2024	PT & NPT 1/2			-	12	-	37		(48)	-		
150	DS-2021	PF 1/2	156	170	188	8	17	-	(66)	(50)	5.5	173	24 x (27.7)
	DS-2022	PT & NPT 1/2			-		10	-		37			
	DS-2023	PF 1/2			-	12	17	-		(50)	-		
	DS-2024	PT & NPT 1/2			-	-	-	37		(48)	-		

Pressure Gauge

Accessories

Thermometer

Thermocouple & R.T.D

Thermowell