

Adapter Series

Model. DS-1250 Series

DAESHIN

Summary

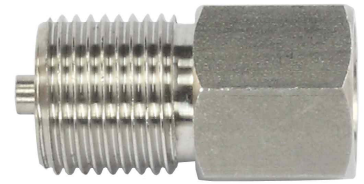
DS-1250 Series는 종류나 직경이 다른 나사 또는 Pipe 접속용으로도 사용되며 작용하는 측과 계기 측의 나사 규격이 다를 경우의 접속 등 그 크기 및 용도에 따라 여러 가지가 있습니다. Accessories는 계기의 선택과 정확한 설치, 사용방법에 따라 압력계의 성능과 수명이 좌우 되므로 압력계의 설치에 앞서 사용목적에 적당한 Accessories로 선정하는 것이 매우 중요합니다.

Purpose of Use

- ▶ 다른 종류의 나사, 경이 다른 나사 및 Pipe 접속용
- ▶ 압력계를 Panel 설치할 경우
- ▶ 압력배관 Pipe와의 접속

Material

Brass
Steel (Ni-Plating)
Stainless Steel



Model. DS-1251

Standard features

Body

Brass - BSBM
Steel - STS 316

Gasket-Inlet

Brass - Teflon
Steel -Teflon

Washer

Brass - BSBM
St,St - STS 316

Pressure Gauge

Accessories

Thermometer

Thermocouple
& R.T.D

Thermowell

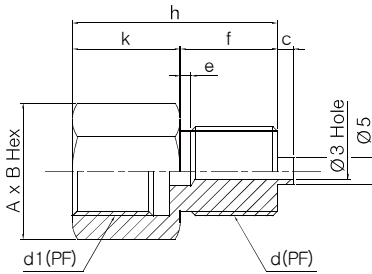
Adapter Series

Model. DS-1250 Series

DAESHIN

Model. DS-1251 Adapter (Female x Male)

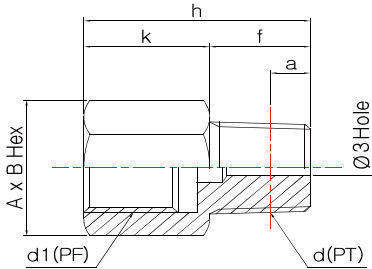
Dimensions (mm)



Model No.	Con'n(d1)	Con'n(d)	AxB Hex	k	f	L	e
ADAPTER (PFxPF)	PF 1/4	PF 1/4	19 x 21,9	18	16	34	2
	PF 1/4	PF 3/8	19 x 21,9	18	18	36	2
	PF 1/4	PF 1/2	22 x 25,4	18	20	38	2
	PF 3/8	PF 1/4	22 x 25,4	20	16	36	2
	PF 3/8	PF 3/8	22 x 25,4	20	18	38	2
	PF 3/8	PF 1/2	22 x 25,4	20	20	40	2
	PF 1/2	PF 1/4	27 x 31,1	22	16	38	2
	PF 1/2	PF 3/8	27 x 31,1	22	18	40	2
	PF 1/2	PF 1/2	27 x 31,1	22	20	42	2

Model. DS-1252 Adapter (Female x Male)

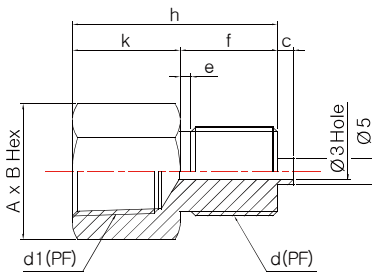
Dimensions (mm)



Model No.	Con'n(d1)	Con'n(d)	AxB Hex	k	f	L	a
ADAPTER (PFxPT)	PF 1/4	PT 1/4	19 x 21,9	18	14	32	6,01
	PF 1/4	PT 3/8	19 x 21,9	18	16	34	6,35
	PF 1/4	PT 1/2	22 x 25,4	18	18	36	8,16
	PF 3/8	PT 1/4	22 x 25,4	20	14	34	6,01
	PF 3/8	PT 3/8	22 x 25,4	20	16	36	6,35
	PF 3/8	PT 1/2	22 x 25,4	20	18	36	8,16
	PF 1/2	PT 1/4	27 x 31,1	22	14	36	6,01
	PF 1/2	PT 3/8	27 x 31,1	22	16	38	6,35
	PF 1/2	PT 1/2	27 x 31,1	22	18	40	8,16

Model. DS-1253 Adapter (Female x Male)

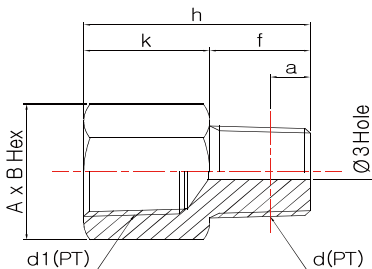
Dimensions (mm)



Model No.	Con'n(d1)	Con'n(d)	AxB Hex	k	f	L	e
ADAPTER (PFxPF)	PF 1/4	PF 1/4	19 x 21,9	16	16	32	2
	PF 1/4	PF 3/8	19 x 21,9	16	16	34	2
	PF 1/4	PF 1/2	22 x 25,4	16	16	36	2
	PF 3/8	PF 1/4	22 x 25,4	18	18	34	2
	PF 3/8	PF 3/8	22 x 25,4	18	18	36	2
	PF 3/8	PF 1/2	22 x 25,4	18	18	38	2
	PF 1/2	PF 1/4	27 x 31,1	20	20	36	2
	PF 1/2	PF 3/8	27 x 31,1	20	20	38	2
	PF 1/2	PF 1/2	27 x 31,1	20	20	40	2

Model. DS-1254 Adapter (Female x Male)

Dimensions (mm)



Model No.	Con'n(d1)	Con'n(d)	AxB Hex	k	f	L	e
ADAPTER (PTxPT)	PT 1/4	PT 1/4	19 x 21,9	16	14	30	6,01
	PT 1/4	PT 3/8	19 x 21,9	16	16	32	6,35
	PT 1/4	PT 1/2	22 x 25,4	16	18	34	8,16
	PT 3/8	PT 1/4	22 x 25,4	18	18	32	6,01
	PT 3/8	PT 3/8	22 x 25,4	18	18	34	6,35
	PT 3/8	PT 1/2	22 x 25,4	18	18	36	8,16
	PT 1/2	PT 1/4	27 x 31,1	20	20	34	6,01
	PT 1/2	PT 3/8	27 x 31,1	20	20	36	6,35
	PT 1/2	PT 1/2	27 x 31,1	20	20	38	8,16

Pressure Gauge

Accessories

Thermometer

Thermocouple & R.T.D

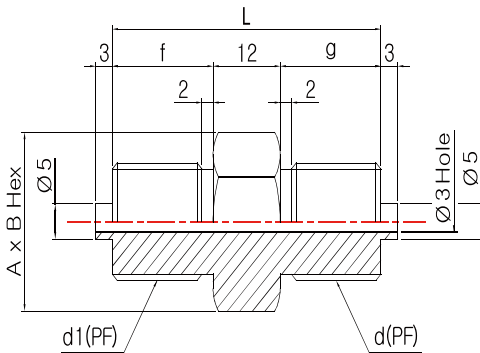
Thermowell

Adapter Series

Model. DS-1250 Series

DAESHIN

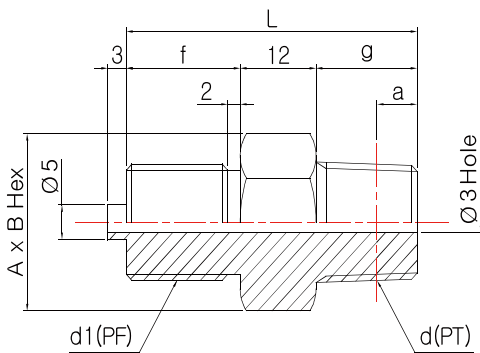
Model. DS-1255 Adapter (Male x Male)



Dimensions (mm)

Model No.	Con'n(d1)	Con'n(d)	AxB Hex	k	f	L	e	el
ADAPTER (PFxPF)	PF 1/4	PF 1/4	19 x 21,9	16	16	44	2	2
	PF 1/4	PF 3/8	19 x 21,9	16	18	46	2	2
	PF 1/4	PF 1/2	22 x 25,4	16	20	48	2	2
	PF 3/8	PF 1/4	22 x 25,4	18	16	46	2	2
	PF 3/8	PF 3/8	22 x 25,4	18	18	48	2	2
	PF 3/8	PF 1/2	22 x 25,4	18	20	50	2	2
	PF 1/2	PF 1/4	27 x 31,1	20	16	48	2	2
	PF 1/2	PF 3/8	27 x 31,1	20	18	50	2	2
	PF 1/2	PF 1/2	27 x 31,1	20	20	52	2	2

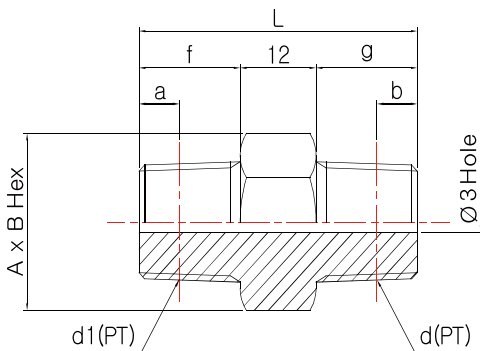
Model. DS-1256 Adapter (Male x Male)



Dimensions (mm)

Model No.	Con'n(d1)	Con'n(d)	AxB Hex	k	f	L	e	a
ADAPTER (PFxPT)	PF 1/4	PT 1/4	19 x 21,9	16	14	42	2	6.01
	PF 1/4	PT 3/8	19 x 21,9	16	16	44	2	6.35
	PF 1/4	PT 1/2	22 x 25,4	16	18	46	2	8.16
	PF 3/8	PT 1/4	22 x 25,4	18	14	44	2	6.01
	PF 3/8	PT 3/8	22 x 25,4	18	16	46	2	6.35
	PF 3/8	PT 1/2	22 x 25,4	18	18	48	2	8.16
	PF 1/2	PT 1/4	27 x 31,1	20	14	46	2	6.01
	PF 1/2	PT 3/8	27 x 31,1	20	16	48	2	6.35
	PF 1/2	PT 1/2	27 x 31,1	20	18	50	2	8.16

Model. DS-1257 Adapter (Male x Male)



Dimensions (mm)

Model No.	Con'n(d1)	Con'n(d)	AxB Hex	k	f	L	a	b
ADAPTER (PTxPT)	PT 1/4	PT 1/4	19 x 21,9	16	14	30	6.01	6.01
	PT 1/4	PT 3/8	19 x 21,9	16	16	32	6.35	6.35
	PT 1/4	PT 1/2	22 x 25,4	16	18	34	8.16	8.16
	PT 3/8	PT 1/4	22 x 25,4	18	14	32	6.01	6.01
	PT 3/8	PT 3/8	22 x 25,4	18	16	34	6.35	6.35
	PT 3/8	PT 1/2	22 x 25,4	18	18	36	8.16	8.16
	PT 1/2	PT 1/4	27 x 31,1	20	14	34	6.01	6.01
	PT 1/2	PT 3/8	27 x 31,1	20	16	36	6.35	6.35
	PT 1/2	PT 1/2	27 x 31,1	20	18	38	8.16	8.16

Pressure Gauge

Accessories

Thermometer

Thermocouple & R.T.D

Thermowell

Adapter Series

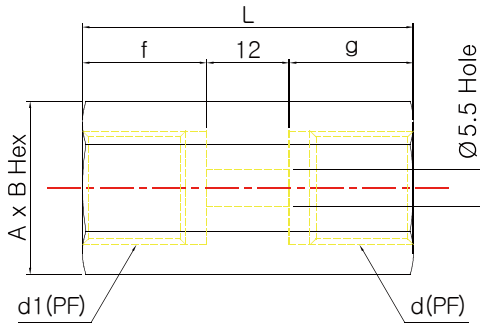
Model. DS-1250 Series

DAESHIN

Model. DS-1258 Adapter (Female x Female)

Dimensions (mm)

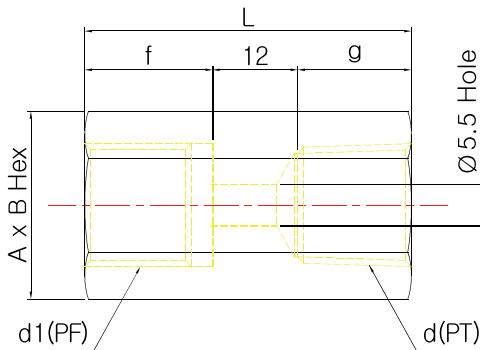
Model No.	Con'n(d1)	Con'n(d)	AxB Hex	f	g	L
ADAPTER (PFxPF)	PF 1/4	PF 1/4	19 x 21,9	16	16	44
	PF 1/4	PF 3/8	22 x 25,4	16	18	46
	PF 1/4	PF 1/2	27 x 31,1	16	20	48
	PF 3/8	PF 1/4	22 x 25,4	18	16	46
	PF 3/8	PF 3/8	22 x 25,4	18	18	48
	PF 3/8	PF 1/2	27 x 31,1	18	20	50
	PF 1/2	PF 1/4	27 x 31,1	20	16	48
	PF 1/2	PF 3/8	27 x 31,1	20	18	50
	PF 1/2	PF 1/2	27 x 31,1	20	20	52



Model. DS-1259 Adapter (Female x Female)

Dimensions (mm)

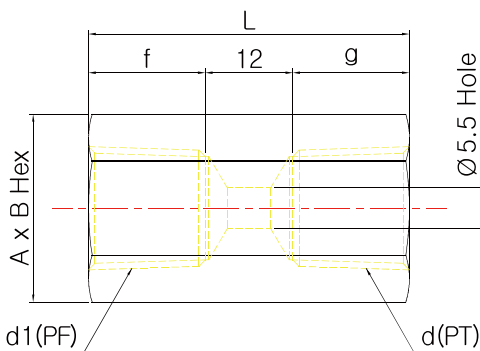
Model No.	Con'n(d1)	Con'n(d)	AxB Hex	f	g	L
ADAPTER (PFxPT)	PF 1/4	PT 1/4	19 x 21,9	16	14	42
	PF 1/4	PT 3/8	22 x 25,4	16	16	44
	PF 1/4	PT 1/2	27 x 31,1	16	18	46
	PF 3/8	PT 1/4	22 x 25,4	18	14	44
	PF 3/8	PT 3/8	22 x 25,4	18	16	46
	PF 3/8	PT 1/2	27 x 31,1	18	18	48
	PF 1/2	PT 1/4	27 x 31,1	20	14	46
	PF 1/2	PT 3/8	27 x 31,1	20	16	48
	PF 1/2	PT 1/2	27 x 31,1	20	18	50



Model. DS-12510 Adapter (Female x Female)

Dimensions (mm)

Model No.	Con'n(d1)	Con'n(d)	AxB Hex	f	g	L
ADAPTER (PTxPT)	PT 1/4	PT 1/4	19 x 21,9	16	14	30
	PT 1/4	PT 3/8	22 x 25,4	16	16	32
	PT 1/4	PT 1/2	27 x 31,1	16	18	34
	PT 3/8	PT 1/4	22 x 25,4	18	14	32
	PT 3/8	PT 3/8	22 x 25,4	18	16	34
	PT 3/8	PT 1/2	27 x 31,1	18	18	36
	PT 1/2	PT 1/4	27 x 31,1	20	14	34
	PT 1/2	PT 3/8	27 x 31,1	20	16	36
	PT 1/2	PT 1/2	27 x 31,1	20	18	38



Pressure Gauge

Accessories

Thermometer

Thermocouple & R.T.D

Thermowell