

Coil Syphon Series

Model. DS-1220 Series

DAESHIN

Summary

DS-1220 Series는 계기의 선택과 수명이 좌우 되므로 압력계의 설치에 앞서 사용 목적에 적당한 Accessories로 선정하는 것이 매우 중요합니다.
Coil Pipe Syphon은 증기 압력측정 또는 측정체가 고온일 경우 사용되어 압력계에 고온이 직접 작용함으로써 발생하는 손상을 방지하는데 효과적입니다.

Purpose of Use

- ▶ 방열용-고온 Steam 측정의 경우
- ▶ 주 Steam Line에 취부시

Material

Steel (Ni-Plating)
Stainless Steel

Test Pressure

30 Mpa

Maximum Working Pressure

20 Mpa

Maximum Working Temperature

350 °C



Model. DS-1222



Model. DS-1224

Standard features

Joint-Outlet

Steel - SS41(Ni-Plating)
St, St - STS 316

Nipple-Pipe for Connection

Steel - SS41(Ni-Plating)
St, St - STS 316

Joint-Inlet

Steel - SS41(Ni-Plating)
St, St - STS 316

Pipe

Steel - STPG38(Ni-Plating)
St, St - STS 316TP

Type

Female x Female
Female x Male
Male x Male
Female x Flange
Male x Flange
Flange x Flange

Cooling Effect

Coil Pipe Syphon의 냉각효과는 Pipe의 직경, 길이, 두께, 온도 등에 따라 좌우 됩니다.

Pressure Gauge

Accessories

Thermometer

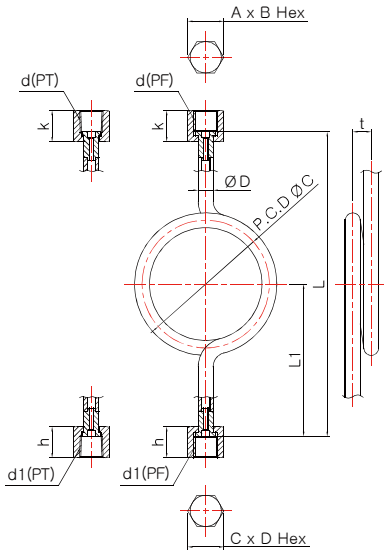
Thermocouple & R.T.D

Thermowell

Coil Syphon Series

Model. DS-1220 Series

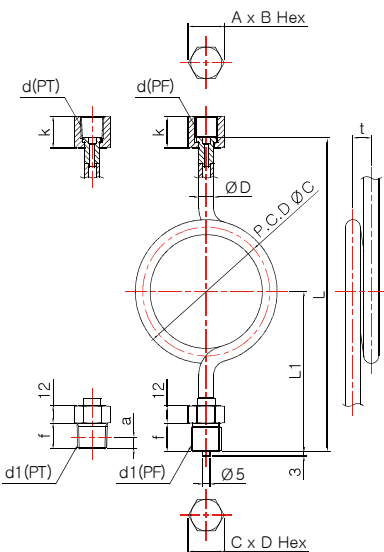
DAESHIN



Model. DS-1221 Coil Syphon (Female x Female)

Dimensions (mm)

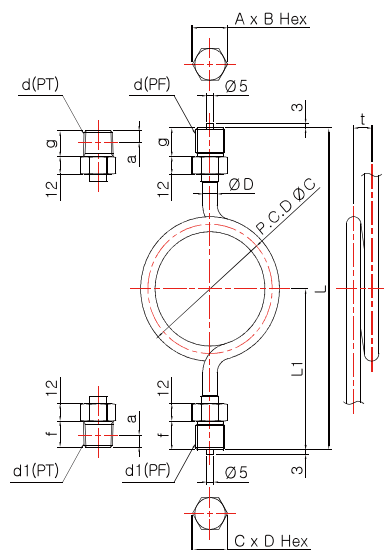
Model No.	Con'n(d)	Con'n(d1)	AxB Hex	CxD Hex	k	h	ØD	ØC	t	L1	L
COIL SYPHON (F)x(F)	PF(PT) 1/4	PF(PT) 1/4	19x21.9	19x21.9	20	20	10.5	90	13	110	215
	PF(PT) 1/4	PF(PT) 3/8		22x25.4							
	PF(PT) 1/4	PF(PT) 1/2		27x31.1							
	PF(PT) 3/8	PF(PT) 1/4	22x25.4	19x21.9	22	20	10.5	90	13		
	PF(PT) 3/8	PF(PT) 3/8		22x25.4							
	PF(PT) 3/8	PF(PT) 1/2	27x31.1	19x21.9	22	24	17.3	115	20		
	PF(PT) 1/2	PF(PT) 1/4		22x25.4							
	PF(PT) 1/2	PF(PT) 3/8		27x31.1							
	PF(PT) 1/2	PF(PT) 1/2	27x31.1	27x31.1	24	24	10.5	90	13		
	PF(PT) 1/2	PF(PT) 1/2									
							21.7	120	25		



Model. DS-1222 Coil Syphon (Female x male)

Dimensions (mm)

Model No.	Con'n(d)	Con'n(d1)	AxB Hex	CxD Hex	k	h	ØD	ØC	t	L1	L
COIL SYPHON (F)x(M)	PF(PT)1/4	PF(PT)1/4	19x21.9	17x21.9	20	16	10.5	90	13	108	203
	PF(PT)1/4	PF(PT)3/8		19x21.9	20	18				110	215
	PF(PT)1/4	PF(PT)1/2		22x25.4	20	20				112	217
	PF(PT)3/8	PF(PT)1/4	22x25.4	22x25.4	22	16	10.5	90	13	108	213
	PF(PT)3/8	PF(PT)3/8			22	18				17.3	115
	PF(PT)3/8	PF(PT)1/2	27x31.1	27x31.1	22	20	10.5	90	13	112	217
	PF(PT)1/2	PF(PT)1/4			24	16				108	213
	PF(PT)1/2	PF(PT)3/8			20	18				110	215
	PF(PT)1/2	PF(PT)1/2	27x31.1	27x31.1	24	20	17.3	115	20	110	215
	PF(PT)1/2	PF(PT)1/2								24	20



Model. DS-1223 Coil Syphon (male x male)

Dimensions (mm)

Model No.	Con'n(d)	Con'n(d1)	AxB Hex	CxD Hex	k	h	ØD	ØC	t	L1	L
COIL SYPHON (M)x(M)	PF(PT) 1/4	PF(PT) 1/4	19x21.9	17x19.6	16	16	10.5	90	13	108	216
	PF(PT) 1/4	PF(PT) 3/8		19x21.9	18	18				110	220
	PF(PT) 1/4	PF(PT) 1/2		22x25.4	20	20				112	224
	PF(PT) 3/8	PF(PT) 1/4	22x25.4	22x25.4	16	16	10.5	90	13	108	216
	PF(PT) 3/8	PF(PT) 3/8			18	18				17.3	115
	PF(PT) 3/8	PF(PT) 1/2	27x31.1	27x31.1	20	20	10.5	90	13	112	224
	PF(PT) 1/2	PF(PT) 1/4			16	16				108	216
	PF(PT) 1/2	PF(PT) 3/8			18	18				110	220
	PF(PT) 1/2	PF(PT) 1/2	27x31.1	27x31.1	20	20	21.7	120	25	112	224
	PF(PT) 1/2	PF(PT) 1/2								112	224

Pressure Gauge

Accessories

Thermometer

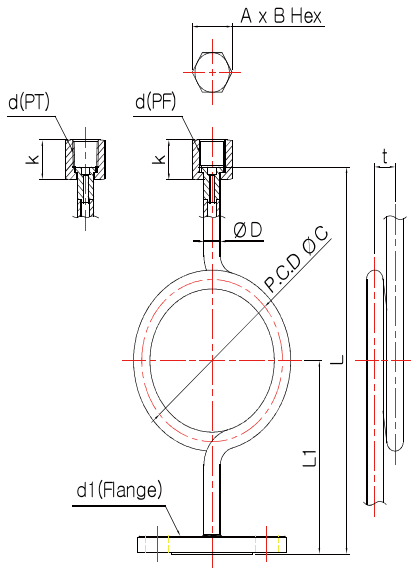
Thermocouple & R.T.D

Thermowell

Coil Syphon Series

Model. DS-1220 Series

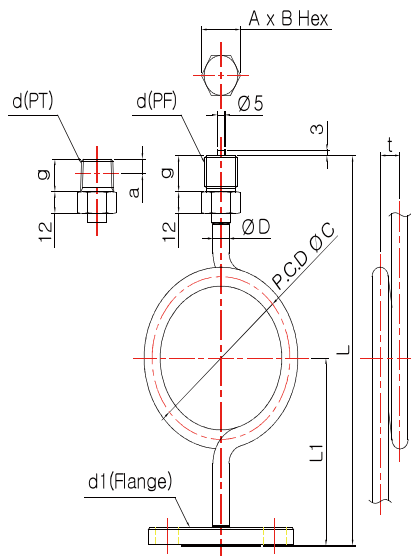
DAESHIN



Model. DS-1224 Coil Syphon (Female x Flange)

Dimensions (mm)

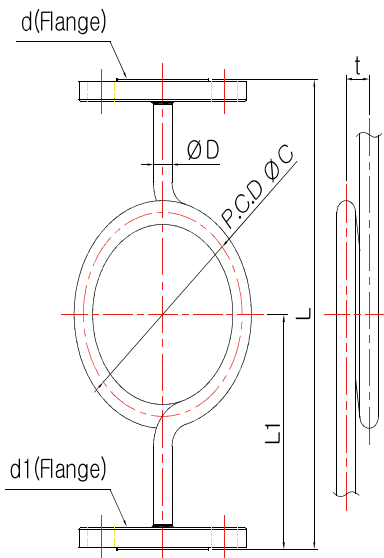
Model No.	Con'n(d)	Con'n(d1)	AxB Hex	k	ØD	ØC	t	L1	L	
COIL SYPHON	PF(PT) 1/4	JIS 10K	19 x 21,9	20	10,5	90	13	110	215	
	PF(PT) 1/4									
	PF(PT) 3/8	JIS 20K	22 x 25,4	22	10,5	90	13			
	PF(PT) 3/8									
	PF(PT) 3/8	ANSI #150				10,5	90			13
	PF(PT) 3/8									
	PF(PT) 1/2	ANSI #300	27 x 31,1	24	17,3	115	20			
	PF(PT) 1/2									
PF(PT) 1/2					21,7	120	25			



Model. DS-1225 Coil Syphon (male x male)

Dimensions (mm)

Model No.	Con'n(d)	Con'n(d1)	AxB Hex	k	ØD	ØC	t	L1	L	
COIL SYPHON	PF(PT) 1/4	JIS 10K	19 x 21,9	16	10,5	90	13	110	215	
	PF(PT) 1/4									
	PF(PT) 3/8	JIS 20K	22 x 25,4	18	10,5	90	13			
	PF(PT) 3/8									
	PF(PT) 3/8	ANSI #150				10,5	90			13
	PF(PT) 3/8									
	PF(PT) 1/2	ANSI #300	27 x 31,1	20	17,3	115	20			
	PF(PT) 1/2									
PF(PT) 1/2					21,7	120	25			



Model. DS-1226 Coil Syphon (Flange x Flange)

Dimensions (mm)

Model No.	Con'n(d)	Con'n(d1)	ØD	ØC	t	L1	L	
COIL SYPHON	PF(PT) 1/4	JIS 10K	10,5	90	13	110	215	
	PF(PT) 1/4							
	PF(PT) 3/8	JIS 20K	17,3	115	20			
	PF(PT) 3/8							
	PF(PT) 3/8	ANSI #150						20
	PF(PT) 3/8							
	PF(PT) 1/2	ANSI #300	21,7	120	25			
	PF(PT) 1/2							
PF(PT) 1/2								

Pressure Gauge

Accessories

Thermometer

Thermocouple & R.T.D

Thermowell