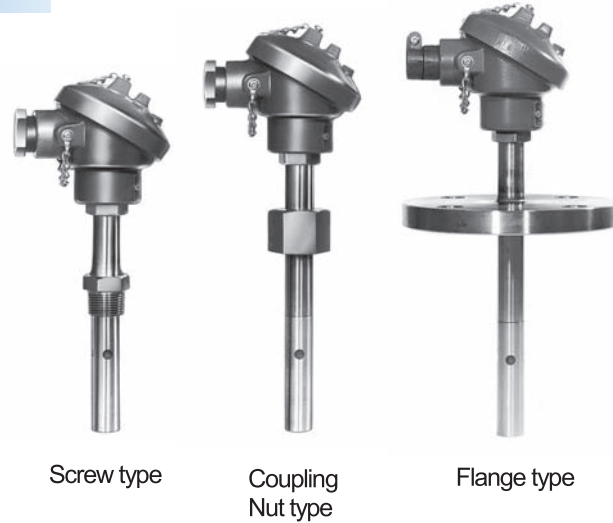


OUTLINE

MODEL CI CONDUCTIVITY CELL IS AVAILABLE FOR VARIOUS APPLICATIONS IN CONTINUOUS CONDUCTIVITY (MEASUREMENT).

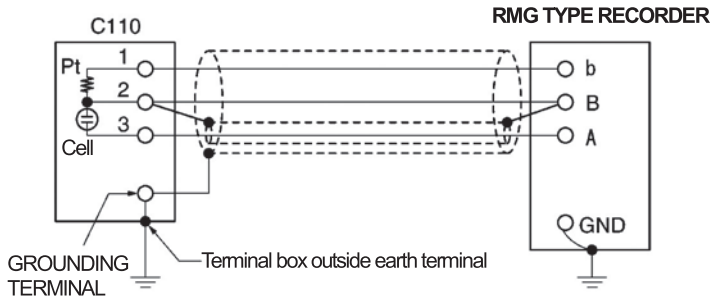


Model		CI 10	CI 355
Cell Constant		1.0, 10.0 or 100m ⁻¹ (0.01, 0.1 or 1.0cm ⁻¹)	1000m ⁻¹ (10.0cm ⁻¹)
Process connection	Flange	JIS 10K-50A equivalent	JIS 10K-50A equivalent
	Screw	R3/4 (PT3/4 Male)	R1 1/4 (PT1 1/4 Male)
	Coupling Nut	G1 (PF1 Female)	-----
	Valve	Rc1(PT1 Female)	-----
Operating pressure		1MPa (10kgf/cm ²) max.	0.2MPa (2kgf/cm ²) max.
Operating temperature		0 ~ 100°C	0 ~ 80°C
Temperature compensation element	Pt1000	0 ~ 100°C	0 ~ 80°C
Material	Electrode	Stainless steel 316, Carbon graphite	Gold with platinum-black coating
	Skirt	Stainless Steel 316	Polypropylene
	Insulator	Polyphenylene sulphide	Polypropylene
	Sleeve	Stainless Steel 316	Polypropylene
	Flange/thread	Stainless steel 304	Polypropylene
Weight	Flange mount	Approx. 3.0kg	Approx. 1.0kg
	Screw mount	Approx. 0.8kg	Approx. 0.7kg
	Coupling nut mount	Approx. 0.9kg	-----
	Valve mount	Approx. 3.3kg	-----

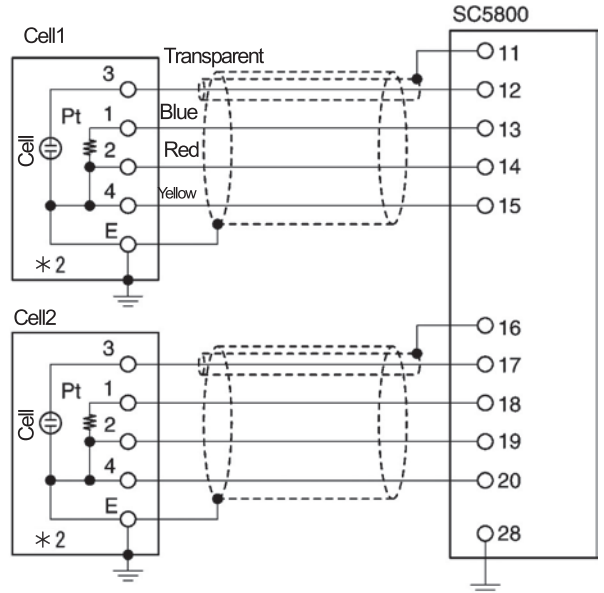
A
B
C
D
E
F
G

WIRING

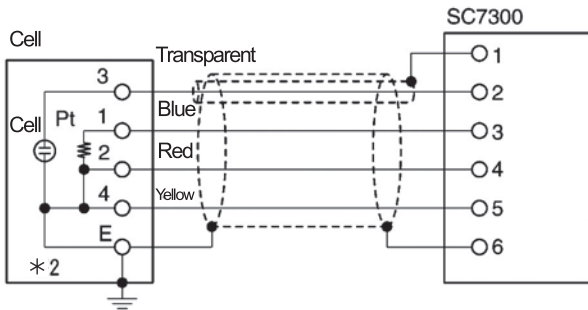
(1) CI 10 & RMG TYPE RECORDER



(2) CI 10□5 OR CI355 & SC5800

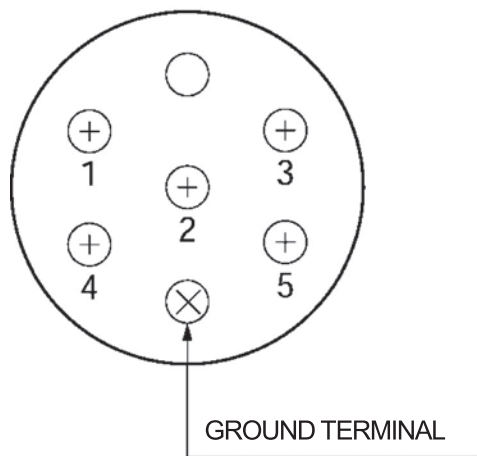


(3) CI 10□5 OR CI355 & SC7300



*2 For CI 10□5

TERMINAL BOX LEAD ASSIGNMENT



CI 10 TYPE CELL
CI355 TYPE CELL

도전율센서

CONDUCTIVITY CELL

MODEL CODE NUMBER

MODEL		DESCRIPTION	
CI10		Conductivity Cell. Chose cell constant and process/ electrical, connection below	
CELL CONSTANT	1	K = 1.0m ⁻¹ (0.01cm ⁻¹)	
	2	K = 10.0m ⁻¹ (0.1cm ⁻¹)	
	3	K = 100m ⁻¹ (1.0cm ⁻¹)	
TEMPERATURE COMPENSATION	0	No temperature compensator installed	
	5	Pt1000 at 0°C, compensation range 0 to 100°C, for SC5800 and SC7300	
	9	Custom, consult factory	
PROCESS CONNECTION	F	Flange JIS 10K-50A	
	S	Screw thread JIS R3/4 (PT3/4 M)	
	N	Coupling nut JIS G1 (PF1 F)	
	V	Valve JIS Rc1 (PT1 F)	
	C	Valve with retractable cell	
	Z	Custom, consult factory	
ELECTRICAL CONNECTION	1	Cable type (2m cable)	
	2	Terminal box type	
	3	Connector type (with 2m cable)	

MODEL		DESCRIPTION	
CI35		Conductivity Cell. Chose cell constant and process/ ecelet, connection below	
TEMPERATURE COMPENSATION	5	Pt1000 at 0°C, compensation range 0 to 100°C, for SC5800 and SC7300	
PROCESS CONNECTION	F	Flange JIS 10K-50A	
	S	Screw thread JIS R3/4 (PT3/4 M)	
	Z	Custom, consult factory	
ELECTRICAL CONNECTION	1	Cable type (2m cable)	
	2	Terminal box type	
	3	Connector type (with 2m cable)	

ACCESSORIES

MODEL	DESCRIPTION
CH1001	Cell chamber for CI10xxNx, SUS304, 1.5kg
CH906	Cell chamber for CI35xxS, PP, 0.2MPa max, 0.3kg
TB1001	Junction box for CI10xxx1, CIxxx3, CI35xx1 and CI35xx3
TB2001A3	

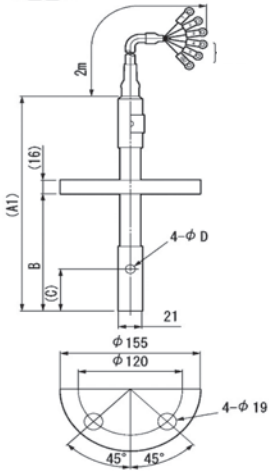
EXTENSION CABLE

PART No.	DESCRIPTION
WPSN040A000001	4-core double shielded, Φ8mm for SC5800 and SC7300 analyzer

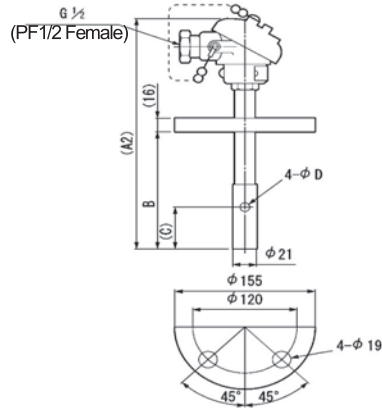
DIMENSIONS

(Unit: mm)

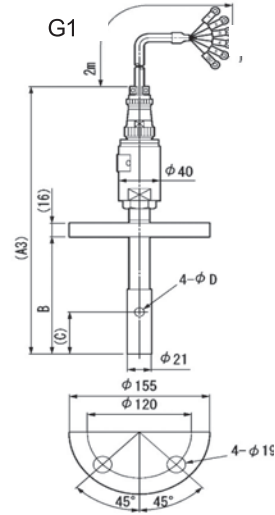
CI 10□□F1



CI 10□□F2

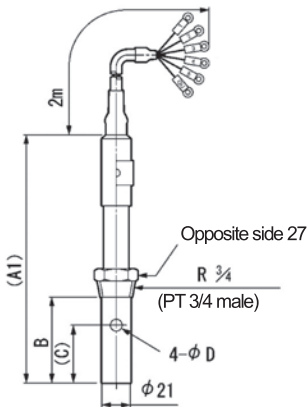


CI 10□□F3

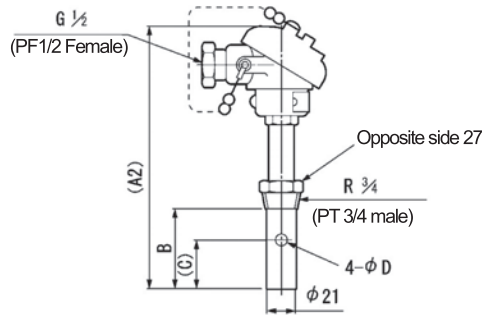


DIMENSIONS						
MODEL	A1	A2	A3	B	C	D
CI 101□□F□	(271)	(304)	(361)	150	(55)	8
CI 102□□F□	(227)	(260)	(317)	106	(11)	6
CI 103□□F□	(271)	(304)	(361)	150	(55)	8

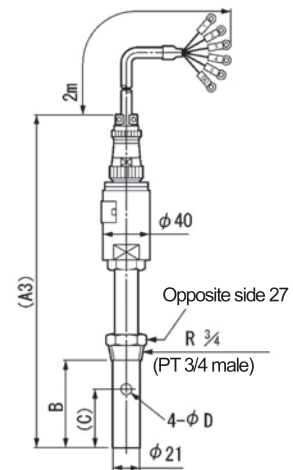
CI 10□□S1



CI 10□□S2

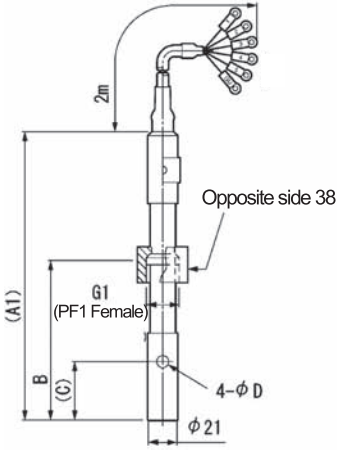


CI 10□□S3

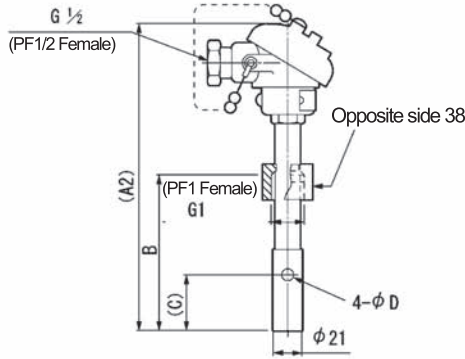


DIMENSIONS						
MODEL	A1	A2	A3	B	C	D
CI 101□□S□	(226)	(259)	(316)	81	(55)	8
CI 102□□S□	(182)	(215)	(272)	37	(11)	6
CI 103□□S□	(226)	(259)	(316)	81	(55)	8

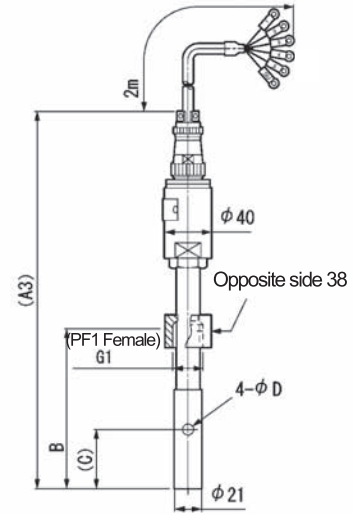
CI 10□□N1



CI 10□□N2

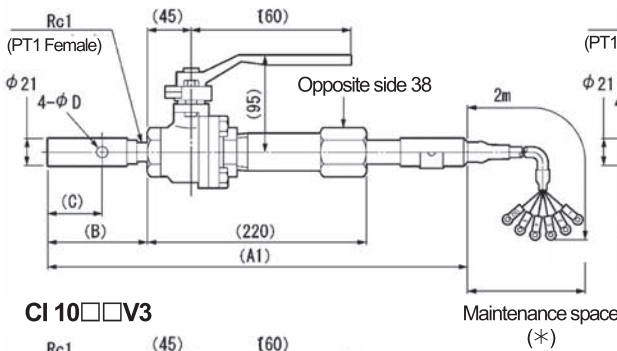


CI 10□□N3

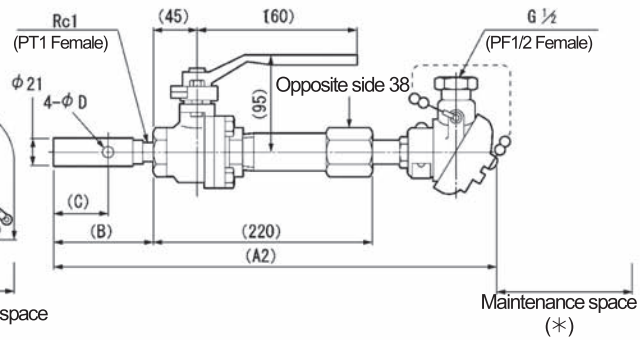


DIMENSIONS						
MODEL	A1	A2	A3	B	C	D
CI 101□□N□	(265)	(298)	(355)	150	(55)	8
CI 102□□N□	(221)	(254)	(311)	106	(11)	6
CI 103□□N□	(265)	(298)	(355)	150	(55)	8

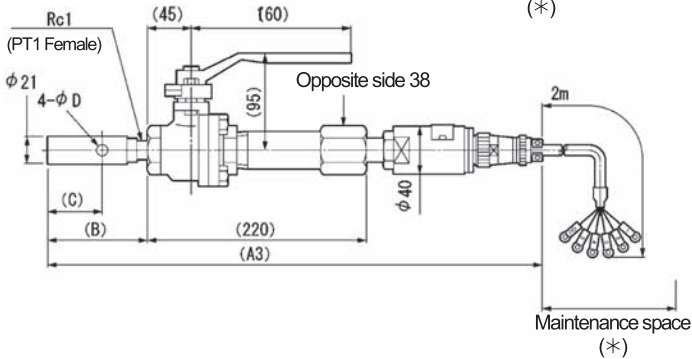
CI 10□□V1



CI 10□□V2



CI 10□□V3

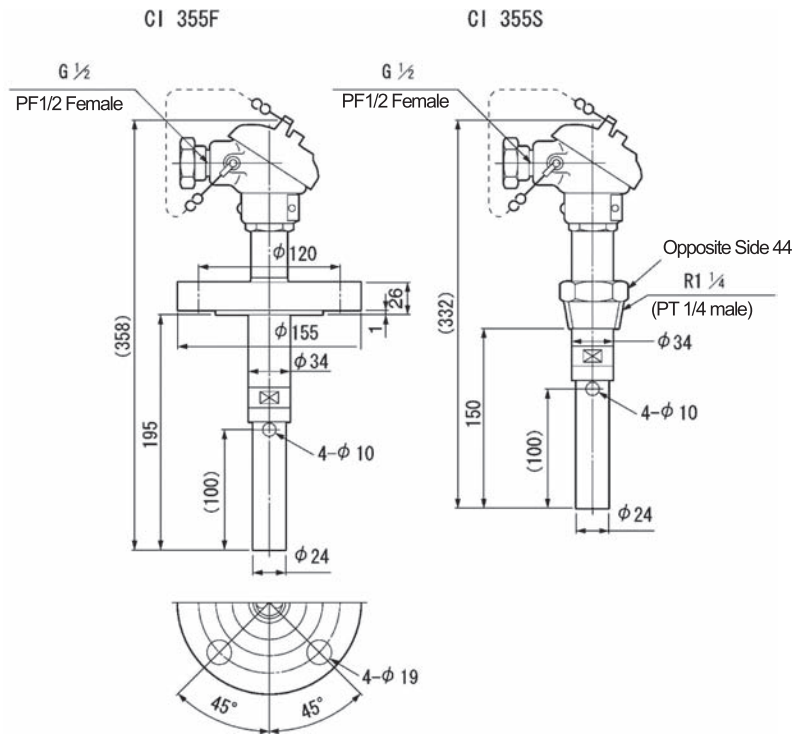


(*) Please secure the Maintenance space of more than size A.

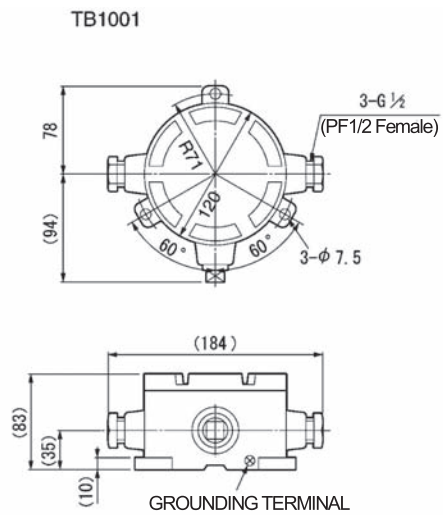
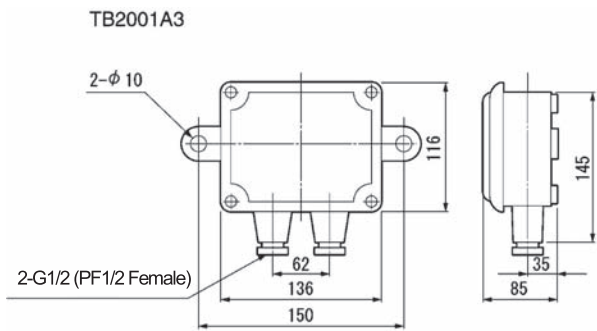
DIMENSIONS						
MODEL	A1	A2	A3	B	C	D
CI 101□□V□	(452)	(485)	(542)	(136)	(55)	8
CI 102□□V□	(408)	(441)	(498)	(92)	(11)	6
CI 103□□V□	(452)	(485)	(542)	(136)	(55)	8

도전율센서

CONDUCTIVITY CELL

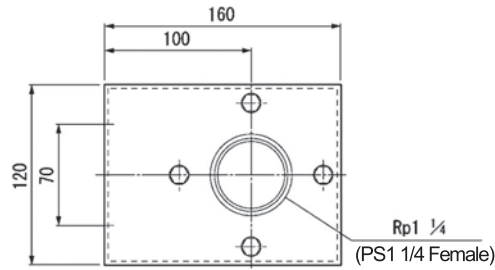


JUNCTION BOX



CELL CHAMBER

CH 906



CI35nS Cell

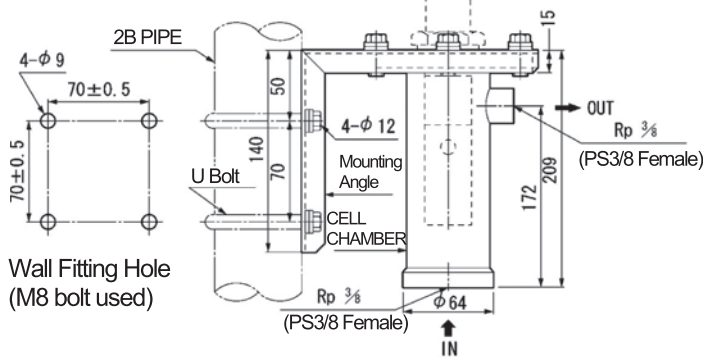


Figure of Pipe Fitting

CH 1001AN

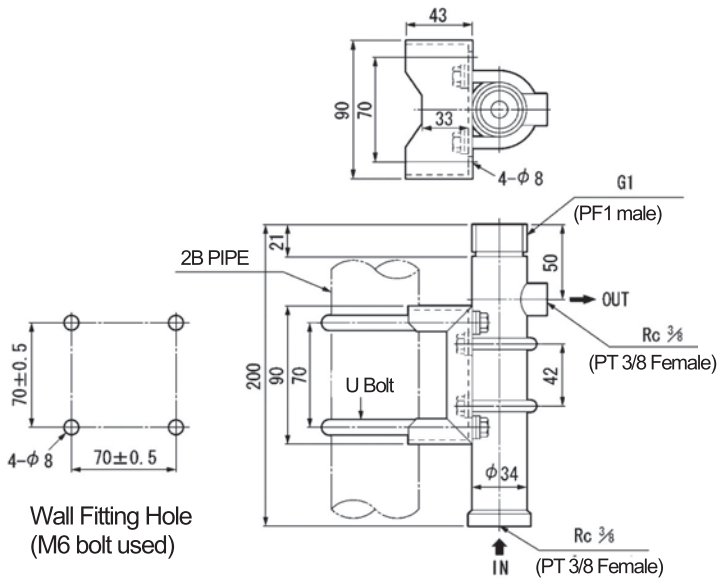
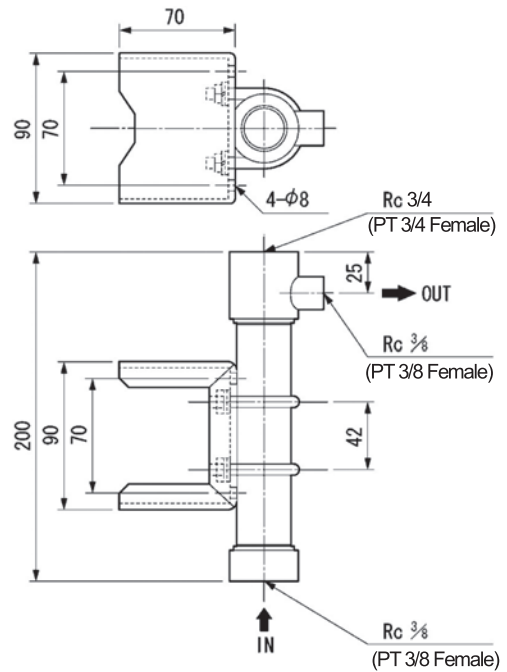


Figure of Pipe Fitting

CH 1001AS



Note1: Being available for wall fitting and pipe fitting (2B pipe). Attached are 2B pipe and U bolt (2 pc) for fitting.

Note2: Adjustable of directions of pipe fitting outlets by 90° according to installation sites.

Note3: Please use Rc3/ 8 (PT3/ 8female) screw pipe connection or hose connection for fittings to chamber.