

A9 Box Type Differential Pressure Gauge

Accuracy: $\pm 5\%$ of full span at $20^{\circ}\text{C} \pm 5^{\circ}\text{C}$

Features

- Magnet-helix indicating mechanism ideal for low DP measurement
- Surface mounting with 2-5/8" hole
- Accuracy 5% of FS
- Easy to read through lucid lens
- High static pressure to 30 PSI
- Good quality and low cost



Specifications

Service: Air and compatible gases

Ranges: See Range Selection Chart

Accuracy: $\pm 5\%$ of full span at $20^{\circ}\text{C} \pm 5^{\circ}\text{C}$

Ambient Temperature: $-6.67 \sim 48.9^{\circ}\text{C}$

Pressure Limit: 30Psi (2.06Bar)

Process Connections: barb, suitable for 3/16" ID

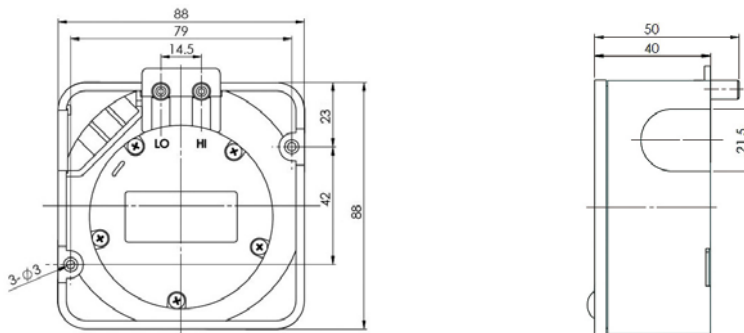
Housing Material: nylon glass, polycarbonate lens

Weight: 220g

Dial Size: 52.39mm Diameter (2-1/16")

Mounting Position: Vertical

Dimensional Outline Drawings



Order Information

Model No.	Range Inch of w.c.	Model No.	Range Inch of w.c.	Model No.	Range mm of w.c.
A9000-0	0~0.5	A9205	0~5	A9000-25MM	0~25
A9001	0~1.0	A9210	0~10	A9000-50MM	0~50
A9002	0~2.0	A9215	0~15	A9000-100MM	0~100
A9003	0~3.0	A9230	0~30	Model No.	Range(Pa)
A9005	0~5.0			A9000-125Pa	0~125
A9010	0~10			A9000-250Pa	0~250
A9020	0~20			A9000-500Pa	0~500
A9040	0~40			Model No.	Range(KPa)
A9060	0~60			A9000-1KPa	0~1KPa
A9100	0~100			A9000-3KPa	0~3KPa

Global Service

Innovative Technology

www.Canada.com