

A2 Differential Pressure Gauge

Range: 30 Pa-30KPa Accuracy: $\pm 2.5\%$ FS



Features

- Magnet-helix indicating mechanism ideal for low DP measurement
- A wide selection of ranges from 0Pa to 30Pa at up to 30KPa
- Accuracy 2% of FS
- Inertia-free, drift-free pointer indication
- OEM solutions available

Indicating Mechanism

When pressure is applied to both sides of the diaphragm in operation, any difference in pressure causes the diaphragm, the spring that the diaphragm is linked to, and the magnet attached to the spring to move. The movement of the magnet forces the magnetic helix to turn in order to maintain the gap, and the pointer fixed to the helix turns with it.

Applications

The series A2 DP gauges are designed to measure positive, negative, or differential pressure of low air and non-corrosive gases with a full span accuracy of 2% at a competitive price. They are widely used for filter condition checks, HVAC control, and the measurement of fan and blower pressures, air velocity, and pressure drop across orifice plates applications, as well as other applications in the pharmaceutical and semiconductor manufacturing industry.

Specifications

Service: Air and non-combustible, compatible gases

Ranges: See Range Selection Chart

Accuracy: $\pm 2\%$ of full span at 21°C ($\pm 3\%$ on A2-0.50IN, A2/Z-0.5IN, A2-10MM, A2-100Pa, A2-125Pa and $\pm 4\%$ on A2-0.25IN, A2-6MM, A2-60Pa ranges)

Ambient Temperature: -7 ~ 60°C

Pressure Limit: -68 ~ 100KPa

Overpressure: Relief plug opens at approximately 15Psig (100KPa)

Process Connections: 1/8" female NPT duplicate high and low pressure taps: one pair side and one pair back

Case and Bezel Material: Die cast aluminum

Weight: 460g

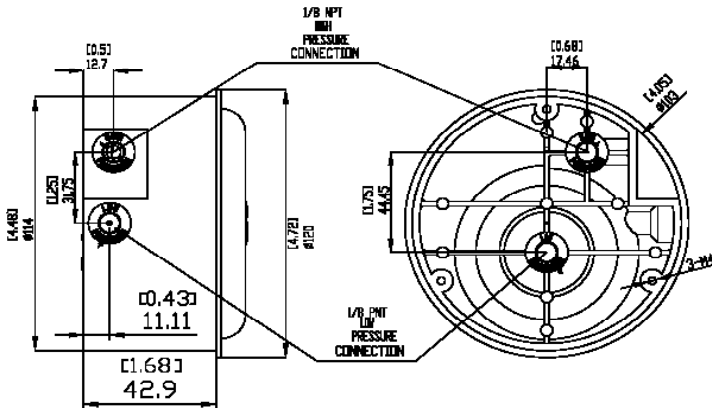
Dial Size: 4" Diameter

Mounting Position: Vertical

Standard Accessories: Two 1/8" NPT plugs for duplicate pressure taps, two 1/8" pipe thread to rubber tubing adapter, and three flush mounting adapters with screws



301-Air filter kit

Dimensional Outline Drawings (inch/mm)

Order Information

Model No.	Range (inH2O)	Model No.	Range Zero Center (inH2O)	Model No.	Range (mmH2O)
A2-0.25IN**	0-0.25	A2/Z-0.5IN*	0.25-0-0.25	A2-6MM**	0-6
A2-0.50IN*	0-0.50	A2/Z-1.0IN	0.5-0-0.5	A2-10MM*	0-10
A2-1.0IN	0-1.0	A2/Z-2IN	1-0-1	A2-25MM	0-25
A2-2.0IN	0-2.0	A2/Z-4IN	2-0-2	A2-50MM	0-50
A2-3.0IN	0-3.0	A2/Z-10IN	5-0-5	A2-80MM	0-80
A2-4.0IN	0-4.0	A2/Z-20IN	10-0-10	A2-100MM	0-100
A2-5.0IN	0-5.0	A2/Z-30IN	15-0-15		
A2-6.0IN	0-6.0				
A2-8.0IN	0-8.0				
A2-10IN	0-10				
A2-15IN	0-15				
A2-20IN	0-20				
A2-25IN	0-25				
A2-30IN	0-30				
A2-40IN	0-40				
A2-50IN	0-50				
A2-60IN	0-60				
A2-80IN	0-80				
A2-100IN	0-100				
A2-150INN	0-150				
Model No.	Range (inH2O)	Model No.	Range (Psi)	Model No.	Range (cmH2O)
		A2-1PSI	0-1	A2-15CM	0-15
		A2-2PSI	0-2	A2-20CM	0-20
		A2-3PSI	0-3	A2-25CM	0-25
		A2-4PSI	0-4	A2-50CM	0-50
		A2-5PSI	0-5	A2-80CM	0-80
		A2-10PSI	0-10	A2-100CM	0-100
		A2-15PSI	0-15	A2-150CM	0-150
		A2-20PSI	0-20	A2-200CM	0-200
		A2-30PSI	0-30	A2-250CM	0-250
				A2-300CM	0-300
Model No.	Range (inH2O)	Model No.	Range (KPa)	Model No.	Zero Center Ranges
A2-30Pa**	0-30	A2-1KPa	0-1	A2/Z-20MM	10-0-10 mmH2O
A2-60Pa**	0-60	A2-1.5KPa	0-1.5	A2/Z-4CM	2-0-2 cmH2O
A2-100Pa*	0-100	A2-2KPa	0-2	A2/Z-10CM	5-0-5 cmH2O
A2-125Pa*	0-125	A2-3KPa	0-3	A2/Z-30CM	15-0-15 cmH2O
A2-250Pa	0-250	A2-4KPa	0-4		
A2-300Pa	0-300	A2-5KPa	0-5		
A2-500Pa	0-500	A2-8KPa	0-8		
A2-750Pa	0-750	A2-10KPa	0-10		
		A2-15KPa	0-15		
		A2-20KPa	0-20		
		A2-25KPa	0-25		
		A2-30KPa	0-30		
Dual Scale English/Metric Models					
Model No.	Range	Range	Range	Range	Range
A2/D-0.5	0-0.5 inH2O				0-125Pa
A2/D-1.0	0-1.0 inH2O				0-250Pa
A2/D-2.0	0-2.0 inH2O				0-500Pa
A2/D-3.0	0-3.0 inH2O				0-750Pa
A2/D-4.0	0-4.0 inH2O				0-1.0KPa
A2/D-6.0	0-6.0 inH2O				0-1.5KPa
A2/D-8.0	0-8.0 inH2O				0-2.0KPa
A2/D-10	0-10 inH2O				0-2.5KPa
Zero Center Ranges					
Model No.	Range (inH2O)				
A2/Z-250Pa	125-0-125Pa				
A2/Z-500Pa	250-0-250Pa				
A2/Z-1KPa	0.5-0-0.5KPa				
A2/Z-3KPa	1.5-0-1.5KPa				

Global Service
Innovative Technology
www.Canada.com