



ELECTRIC BALL VALVE

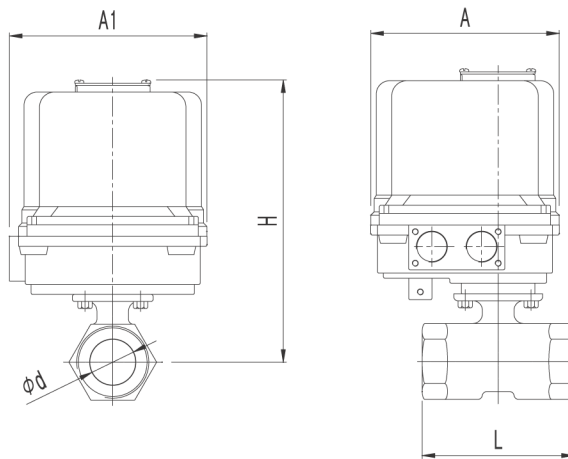


● Application

- Water Distribution pipes.
- Industrial Cleaning Machines.
- Sterilizers, Boilers
- Air Conditioners , Water Filters
- Medical Equipments, Vacuum Packing

● Specification

Valve Size	10A(3/8")	15A(1/2")	20A(3/4")	25A(1")	32A(1-1/4")	40A(1-1/2")	50A(2")
Actuator Model	ATM0020				ATM0040		
Actuator Type	Electric						
Electrical	AC110V, 220V						
Output Torque	25Nm				40Nm		
Operating time	11/50Hz, 60Hz				14/50Hz, 12/60Hz		
Operating Type	ON-OFF, Modulating						
Rotating Angle	90° ±5°				90° ±10°		
Fluid Temp	-10°C~ +65°C				-20°C~ +70°C		
Rating	1000Psi						
Body Material	SUS316 / BODY		SUS316 / BALL		PTFE / SEAT		



● Dimension

Model	Size		Motor		H (APPROX.)	L	(mm)
			A	A1			END CONNECTION(PT SCREW 10X)
ATM0020-10S1	10A	3/8"	89.4	109.7	156.5	45	7.7
ATM0020-15S1	15A	1/2"	89.4	109.7	168.5	56.5	9.2
ATM0020-20S1	20A	3/4"	89.4	109.7	188.5	59	12.5
ATM0020-25S1	25A	1"	89.4	109.7	192.5	71	15
ATM0040-32S1	32A	1-1/4"	113.5	121.8	200	78	20
ATM0040-40S1	40A	1-1/2"	113.5	121.8	200	83	25
ATM0040-50S1	50A	2"	113.5	121.8	200	100	32

ELECTRIC 3PIECE BALL VALVE

ELECTRIC ACTUATOR

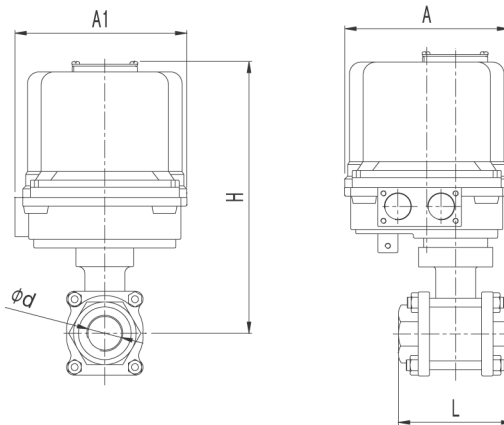


● Application

- Water Distribution pipes
- Industrial Cleaning Machines
- Sterilizers, Boilers
- Air Conditioners , Water Filters
- Medical Equipments, Vacuum Packing

● Specification

Valve Size	8A(1/4")	10A(3/8")	15A(1/2")	20A(3/4")	25A(1")	32A(1-1/4")	40A(1-1/2")	50A(2")
Actuator Model	ATM0020				ATM0040			ATM0080
Actuator Type	Electric							
Electrical	AC110V, 220V							
Output Torque	20Nm				40Nm			80Nm
Operating time	11/50, 60Hz				14/50Hz, 12/60Hz			16/50Hz, 14/60Hz
Operating Type	ON-OFF				ON-OFF			ON-OFF / MODULATING SAME LEFT
Rotating Angle	90° ±5°				90° ±10°			
Fluid Temp	-10°C ~ +65°C				-20°C ~ +70°C			
Rating	1000Psi							
Body Material	SUS316 / BODY			SUS316 / BALL			PTFE / SEAT	



● Dimension

(mm)

Model	Size		Motor		H (APPROX.)	L	END CONNECTION(PT SCREW 10K)	
			A	A1			ød	
ATM0020-8S3	8A	1/4"	89.4	109.7	173.5	60	8	
ATM0020-10S3	10A	3/8"	89.4	109.7	173.5	60	10	
ATM0020-15S3	15A	1/2"	89.4	109.7	173.5	65	15	
ATM0020-20S3	20A	3/4"	89.4	109.7	173.5	75	20	
ATM0040-25S3	25A	1"	113.5	121.8	216	81	25	
ATM0040-32S3	32A	1-1/4"	113.5	121.8	227	94.5	32	
ATM0040-40S3	40A	1-1/2"	113.5	121.8	231	108	40	
ATM0080-50S3	50A	2"	160	121	218	121.5	50	

ELECTRIC FLANGE BALL VALVE

ELECTRIC ACTUATOR



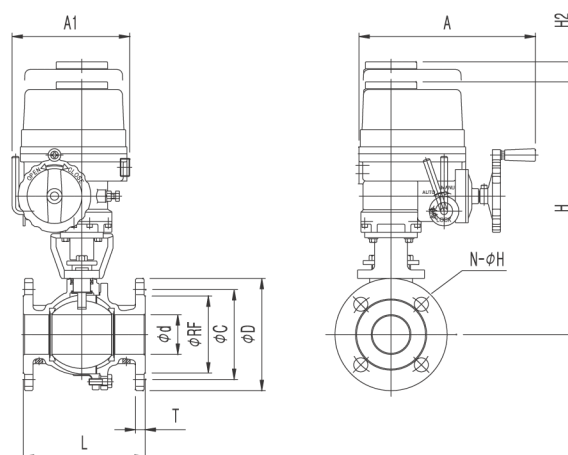
● Application

- Water distribution pipes
- Industrial cleaning machines
- Sterilizers, Boilers
- Air conditioners, Water filters
- Medical equipments, Vacuum packing
- Food & Beverage lines
- Vacuum distribution pipes

● Specification

Valve Size	15A ~ 350A		
Actuator Model	ATM0040 ~ ATM3000		
Actuator Type	Electric		
Electrical	AC110V 220V, AC380V 440V		
Rotating Angle	90° ±5°		
Operating Type	ON/OFF, MODULATING(Except for ATM0040)		
Fluid Temp	-20°C ~ 70°C		
Rating	JIS10K (20K) (40K)	ANSI150# (300#) (600#)	
Body Material	SCS13 (SCS14)/Body	SUS304 (SUS316)/Ball	PTFE(RTFE PEEK, METAL)/Seat

※ () Option



● Dimension

(mm)

Model	Size		Motor		H (Approx)	H2	L ± 1.6	END CONNECTION(JIS 10K RF)					
			A	A1				T	φd	φRF	φC	φD	N-φH
ATM0040-15F	15A	1/2"	113.5	121.8	233	-	108	12	15	52	70	95	4-15
ATM0040-20F	20A	3/4"	113.5	121.8	236	-	117	14	20	58	75	100	4-15
ATM0040-25F	25A	1"	113.5	121.8	245	-	127	14	25	70	90	125	4-19
ATM0040-32F	32A	1-1/4"	113.5	121.8	248	-	140	16	32	80	100	135	4-19
ATM0040-40F	40A	1-1/2"	113.5	121.8	269	-	165	16	40	85	105	140	4-19
ATM0080-50F	50A	2"	160	121	256	40	178	16	50	100	120	155	4-19
ATM0160-65F	65A	2-1/2"	338	229	406	115	190	18	65	120	140	175	4-19
ATM0160-80F	80A	3"	338	229	482	115	203	18	80	130	150	185	8-19
ATM0350-100F	100A	4"	357	244	492	145	229	18	100	155	175	210	8-19
ATM0500-125F	125A	5"	357	244	547	145	356	20	125	185	210	250	8-23
ATM0500-150F	150A	6"	357	244	543	145	397	22	150	215	240	280	8-23
ATM1100-200F	200A	8"	380	287	645	170	457	22	200	265	290	330	12-23
ATM2000-250F	250A	10"	440	375	813	225	533	24	250	325	355	400	12-23
ATM3000-300F	300A	12"	440	375	875	225	610	24	300	375	400	445	16-25
ATM3000-350F	350A	14"	440	375	951	225	686	26	350	415	445	490	16-25

ELECTRIC BUTTERFLY VALVE

ELECTRIC ACTUATOR



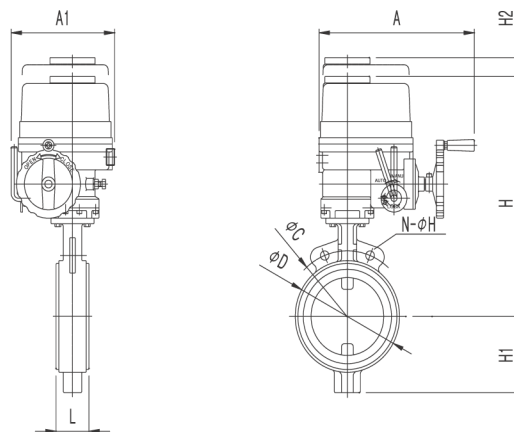
● Application

- Water distribution pipes
- Industrial cleaning machines
- Sterilizers, Boilers
- Air ventilation
- Medical equipments, Vacuum packing
- Air ventilation systems

● Specification

Valve Size	40A ~ 600A		
Actuator Model	ATM0040 ~ ATM3000		
Actuator Type	Electric		
Electrical	AC110V 220V, AC380V 440V		
Rotating Angle	90° ±5°		
Operating Type	ON/OFF, MODULATING(Except for ATM0040)		
Fluid Temp	-20°C~±70°C		
Rating	JIS10K Wafer	ANSI150# Wafer	
Body Material	FC (SCS13)/Body	SCS13 (SCS14)/Disc	EPDM (MTFE)/Seat

※ () Option



● Dimension

(mm)

Model	Size		Actuator		H (APPROX.)	H1	H2	L	END CONNECTION(JIS 10K WAFER)		
			A	A1					∅D	∅C	N-∅H
ATM0040-40BF	40A	1-1/2"	113.5	121.8	263	58	-	41	86	105	4-19
ATM0040-50BF	50A	2"	113.5	121.8	270	65	-	43	105	120	4-19
ATM0080-65BF	65A	2-1/2"	160	121	268	71	40	46	114	140	4-19
ATM0080-80BF	80A	3"	160	121	278	83	40	46	129	150	8-19
ATM0100-100BF	100A	4"	258	172	418	100	100	52	155	175	8-19
ATM0160-125BF	125A	5"	338	229	472	110	115	56	180	210	8-23
ATM0240-150BF	150A	6"	338	229	489	130	115	56	207	240	8-23
ATM0350-200BF	200A	8"	357	244	581	163	145	60	260	290	12-23
ATM0500-250BF	250A	10"	357	244	608	227	145	68	331	355	12-25
ATM0800-300BF	300A	12"	380	244	660	252	170	78	377	400	16-25
ATM0800-350BF	350A	14"	380	287	669	272	170	78	416	445	16-25
ATM1100-400BF	400A	16"	380	287	713	343	170	102	475	510	16-27
ATM2000-450BF	450A	18"	440	375	836	366	225	114	535	565	20-27
ATM2000-500BF	500A	20"	440	375	900	421	225	127	590	620	20-27
ATM3000-600BF	600A	24"	440	375	985	493	225	154	695	730	24-33