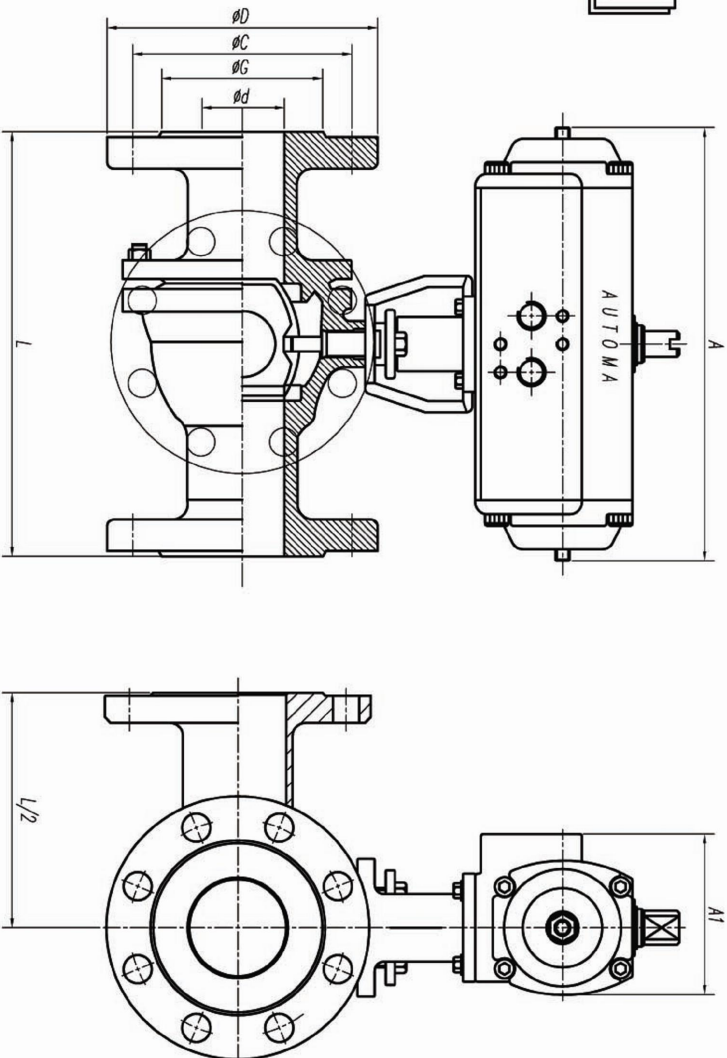
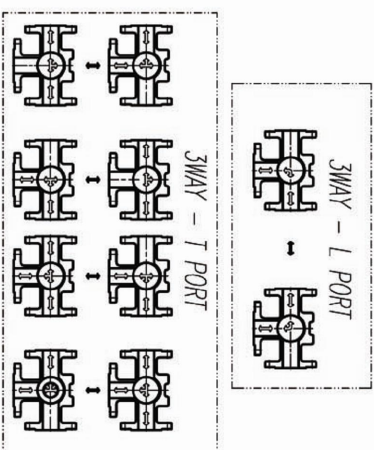


3-9

FOR APPROVAL



TITLE		
3-WAY FLANGED BALL VALVE		
NO	DESCRIPTION	MATERIAL
1	BODY	SCS13
2	BALL	SUS304
3	STEM	SUS304
4	SEAL	PTFE
5	GRAND PACKING	PTFE
6	BRACKET	SUS304
7	JOINT	SA1C
8	ACTUATOR	AUTOMA



■ DIMENSION (mm)

MODEL	SIZE		A	A1	H	L	FLANGED						
	mm	Inch					t	Ød	ØRF	ØC	ØD	N-H	
AD50-15F	15A	1/2"	188	69	181	180	12	15	52	70	95	4-Ø15	
AD50-20F	20A	3/4"	188	69	184	190	14	20	58	75	100	4-Ø15	
AD50-25F	25A	1"	234	83	214	200	14	25	70	90	125	4-Ø19	
AD65-40F	40A	1-1/2"	234	83	217	240	16	40	85	105	140	4-Ø19	
AD65-50F	50A	2"	286	98	261	260	16	50	100	120	155	4-Ø19	
AD80-65F	65A	2-1/2"	286	98	270	320	18	65	120	140	175	4-Ø19	
AD100-80F	80A	3"	344	114	330	360	18	80	130	150	185	8-Ø19	

■ Actuator Specification

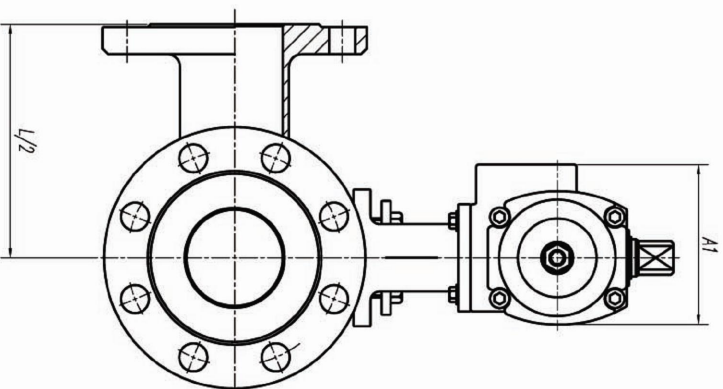
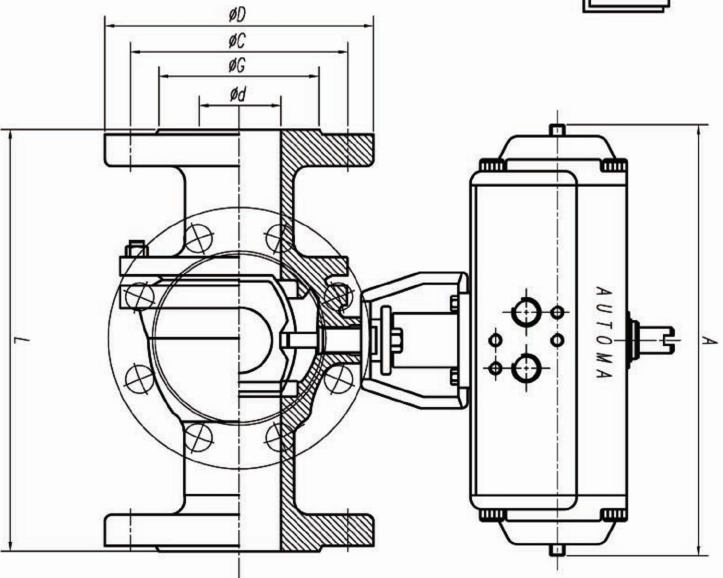
Specification	Type
Valve Type	DOUBLE ACTING
Rating	3-Way Flanged Ball Valve
Operating Medium	JIS10K RF
Standard operating pressure	Compressed dry air
Operating pressure range	5kg/cm ²
Operating angle	4 ~ 7kg/cm ²
Operating time(close → open)	90° (0°~+95°)
Service temperature	Maximum 30 Second(Speed control)
Designed by	-20°C ~ +65°C
Checked by	
Approved by	
File name	
Date	
Scale	
Unit	
Model	
Title	FLANGED 3 WAY BALL VALVE (15A ~ 80A) DOUBLE
Model	AD 3-WAY BALL VALVE
Drawing no.	A050205-03-10



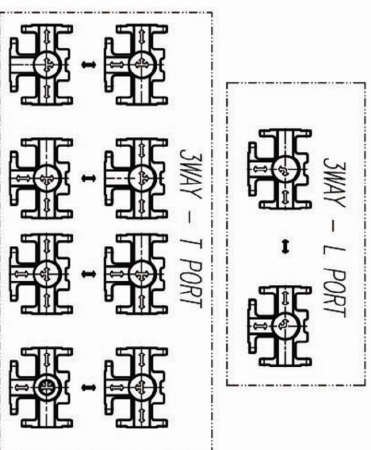
A B C D E F G H

3-10

FOR APPROVAL



TITLE		3-WAY FLANGED BALL VALVE	
NO	DESCRIPTION	MATERIAL	
1	BODY	SCS13	
2	BALL	SUS304	
3	STEM	SUS304	
4	SEAT	PTFE	
5	GRAND PACKING	PTFE	
6	BRACKET	SUS304	
7	JOINT	S41C	
8	ACTUATOR	AUTOMA	



Actuator Specification

DIMENSION (mm)

MODEL	SIZE		A	A1	H	L		FLANGED								
	mm	Inch				10K	t	∅d	∅RF	∅C	∅D	N-H				
AD125-100F	100A	4"	649	136	368	430	18	100	155	175	210	8-∅19				
AD140-125F	125A	5"	716	158	450	520	20	125	185	210	250	8-∅23				
AD160-150F	150A	6"	850	178	500	560	22	150	215	240	280	8-∅23				
AD200D-200F	200A	8"	840	307	643	660	22	200	265	290	330	12-∅23				

Specification	Type
Valve Type	DOUBLE ACTING
Rating	3-Way Flanged Ball Valve
Operating Medium	Compressed dry air
Standard operating pressure	5kg/cm ²
Operating pressure range	4 ~ 7kg/cm ²
Operating angle	90° (0°~+95°)
Operating time(close → open)	Maximum 30 Second(Speed control)
Service temperature	-20°C ~ +65°C
Designed by	宮 恒雄
Checked by	
Approved by	
File name	FLANGED
Date	2005.02.05
Scale	N:5
Unit	mm

AUTOMA

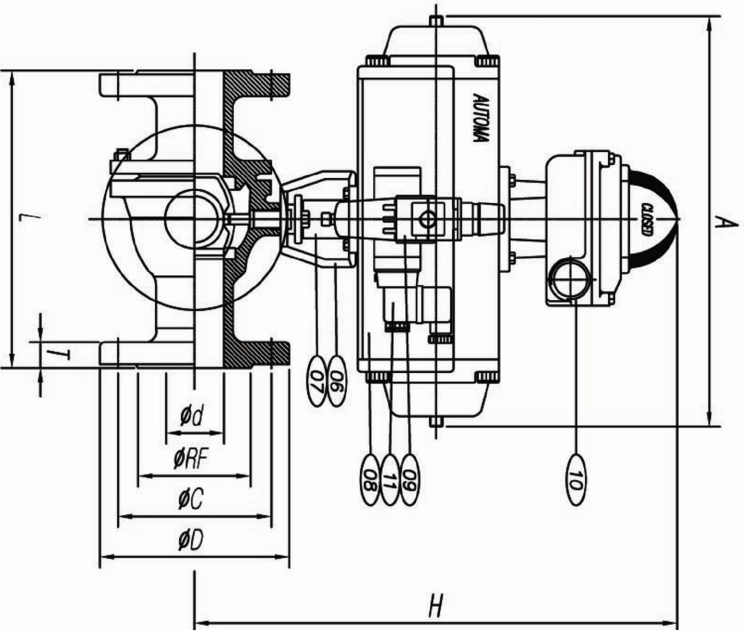
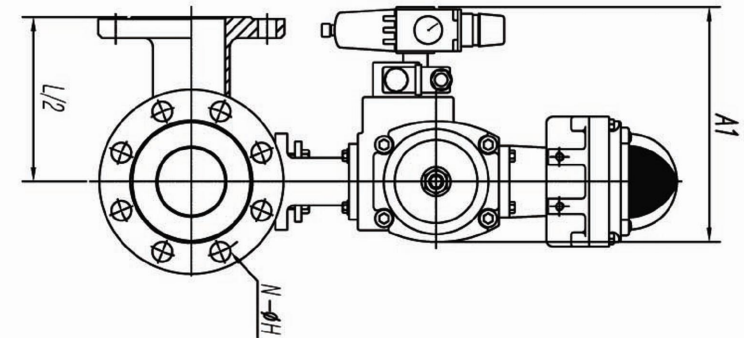
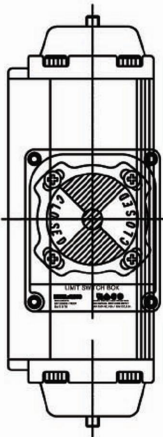
Title: FLANGE BALL VALVE (100A ~ 350A),DOUBLE

Model: AD 3-WAY BALL VALVE

Drawing no. A050205-03-10

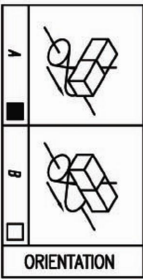
3-11

FOR APPROVAL

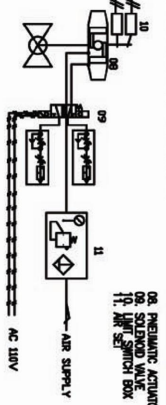


■ ROTATING ANGLE

100% OPEN	CLOCKWISE
50% CLOSE	
50% OPEN	COUNTERCLOCKWISE



■ INSTALLATION SCHEMATIC

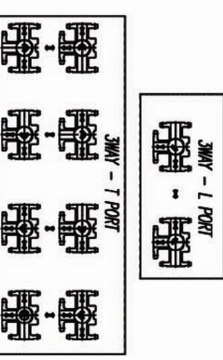
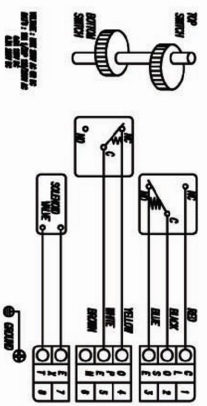


■ DIMENSION

MODEL	QTY	ACTUATOR	H (APPROX.)	Lt1,6	L/2	END CONNECTION (KS 10K RF)				(Min. WALL THICKNESS)	WEIGHT (APPROX.)	
		A				T	d	RF	C	D	N-H	
AD160-150F	1	540	280	630	560	22	150	215	240	280	8-23	-

NO.	PART NAME	QTY	MATERIAL	REMARK
1	BODY	1	SCS13	
2	BALL	1	SUS304	
3	STEM	1	SUS304	
4	SEAT	1	PTFE	
5	GRAND PACKING	1	PTFE	
6	BRACKET	1	SUS304	
7	JOINT	1	S41C	
8	ACTUATOR	1	AD160	AUTOMA
9	SOLENOID VALVE	1	SM4101	AC110V
10	LIMIT SWITCH BOX	1	ALS10	AUTOMA
11	AIR SET	1	AFR-20	AUTOMA
12				
13				
14				
15				

■ LIMIT SWITCH BOX/MECHANICAL SWITCHES 2 (9707)



DOUBLE ACTING ACTUATOR

Rev.	Date	Description	Pre'd	Ch'd	App'd

Designed by: C.I. KIM
Checked by: Approved by:

Model: AD160-150F-S/V-L/S-A/S

Drawing no.	Size	Scale	Unit
A080819-01-01	A4	N:S	mm

